



T75 HydroSeeder
Straight Pull Trailer

The FINN T75 HydroSeeder is the ideal 700 gallon tank working capacity for landscapers and contractors who need high powered performance and productivity. The T75 fits in the FINN line as the feature-filled package right between the small tank sizes and larger trailer-mounted models. Weighing in as a trailer unit with a fully loaded weight of less than 10,000 GVW, the FINN T75 satisfies the ideal towing requirements of a ¾ ton or a 1 ton truck without a commercial license.

First-Rate Features & Design. The FINN T75 HydroSeeder shows-off the top performance, clean aesthetics and operator-friendly design you can expect from FINN. This unit is the answer to achieving the most efficient one-man, one-step process to seeding, fertilizing, and mulching.

The T75 HydroSeeder features a hydraulically-driven and reversible mechanical agitator for fast and thorough mixing; liquid recirculation; agitator controls at each end of the tank for operator convenience; a large toolbox in the hitch for storing hoses and nozzles; and a FINN-designed centrifugal

pump that handles the thickest of slurries with ease and eliminates high maintenance belts and coupling. The rugged, reliable mechanics of the T75 provide long life and easy maintenance. And its low profile allows for easy material loading and excellent stability.

Multiple Applications. One Machine.

The T75 HydroSeeder offers professional quality hydroseeding, fiber mulching, fertilizing, straw tacking, foliar feeding, dust control, remote watering, and a number of other efficient, cost-effective, and profitable applications. Use the T75 to tackle projects including residential and commercial areas, cemeteries, golf courses, sports fields, parks, office complexes, apartment complexes, condominiums, and more!

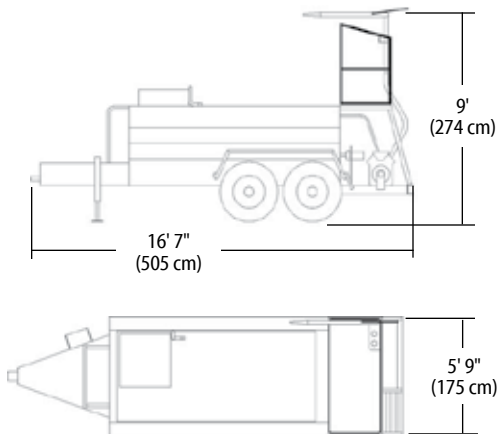
As the world leader for over 70 years in the design and manufacture of innovative, quality equipment for the green industry, FINN Corporation is committed to your complete satisfaction.

Model shown may include optional equipment.

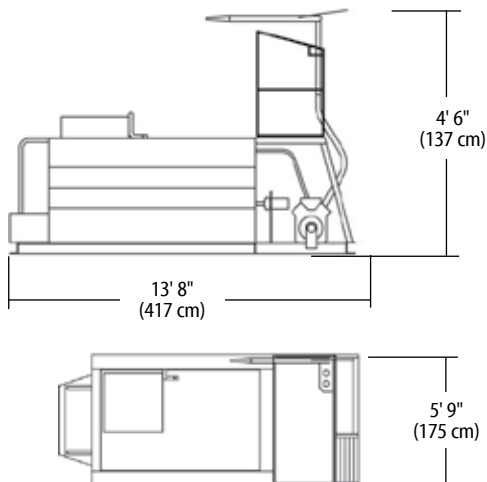
SMARTER WAYS TO WORK

9281 LeSaint Drive • Fairfield, OH 45014-5457 • Phone (513) 874-2818 • Fax (513) 874-2914
Toll Free (800) 543-7166 • Parts (800) 229-8707 • E-mail: sales@finncorp.com
Customer Service/Warranty (888) 382-1966

T75T HYDROSEEDER®
TRAILER



T75S HYDROSEEDER®
SKID MOUNT



FINN MODEL T75 TECHNICAL SPECIFICATIONS

POWER	Kohler Ch25, 25 hp (18.7 kw), 2 cylinder, OHV, air cooled, gas	
ENGINE SAFETY SYSTEM	Low oil pressure, high water temperature shutoff	
TANK SIZE	820 gallon (3,100 liter) liquid capacity, 700 gallon (2,650 liter) working capacity	
FUEL TANK CAPACITY	10 gallon (38 liter)	
PUMP	Centrifugal 3" x 1-1/2" (7.5 cm x 3.75 cm), 135 gpm @ 65 psi (511 liter pm @ 448 kPa) with 3/4" (1.9 cm) solid clearance, adjustable	
PUMP DRIVE	Direct drive through electric clutch, Pump drive is independent of agitator operation	
AGITATION	Mechanical paddle agitation and liquid recirculation	
AGITATOR DRIVE	Reversible, variable speed hydraulic motor drive (0-110 rpm), with control lever at front and rear of unit	
DISCHARGE DISTANCE	Up to 150 feet (45 m) from end of discharge tower	
MATERIAL CAPACITY	2,333 lbs. (1,058 kg) granular solids, 350 lbs. (159 kg) fiber mulch	
NOZZLES	(1) narrow fan, (1) wide fan, (2) long distance	
BRAKES	Electric with break-away switch	
LIGHTS	D.O.T., including identification lights and license plate bracket	
TIRES	ST225/75R15 load range D highway tread	
TRAILER AXLES	Tandem 5,000 lbs. (2,273 kg) rubber torsion with fenders	
HITCH	2 5/16" (5.87 cm) ball or heavy-duty lunette eye Includes large storage area in tongue	
HITCH WEIGHT	Approx. 1,400 lbs. (636 kg) maximum loaded	
EMPTY WEIGHT	T75T	3,250 lbs. (1,477 kg)
	T75S	2,450 lbs. (1,114 kg)
WORKING WEIGHT*	T75T	9,990 lbs. (4,541 kg)
	T75S	9,190 lbs. (4,177 kg)