



# TITAN 280/330/400 HYDROSEEDER®

## TITAN

### **MORE HORSEPOWER WITH HIGH EFFICIENCY HYDRAULIC SYSTEM**

- 170HP Tier III Cummins water cooled, turbo-diesel engine
- Self-diagnosing engine including low oil pressure and high temperature shut-off system
- Electronically controlled hydraulics to enable maximum torque and speed control
- 6 x 3 inch, in-line 500gpm centrifugal pump
- Two (2) heavy duty, reversible and variable speed mechanical agitators with liquid recirculation
- Independent agitator control for more efficient loading

### **MORE FLEXIBILITY**

- Single boom, dual boom or hose application
- Mix and spray any material from the heaviest slurry BFM's, FGM's, plaster-based additives, lime, sprigs and stolons
- Variable speed agitators independent from pump
- Air-flush system available
- Air-activated clutch
- 4000, 3000 or 2800 gallon tank capacity

### **MORE VERSATILITY AND SPEED**

- High power agitators for tough/heavy slurries
- 6 inch suction hose for faster unloading – unit will unload in 6-8 minutes, ideal for re-vegetation using aircraft or large area coverage

### **MORE FEATURES AND BENEFITS**

- Spraying distances of over 320 feet from boom
- Dual boom as an option for spraying on both sides of the unit for hard-to reach areas
- Hydraulic hose reel for ease of use
- Larger hatch design & bigger fill-port for quicker, more efficient loading
- Can accommodate 2-man loading at the same time.
- Larger slide-gate and open-space design dramatically increases the amount of usable storage space on top of the tank
- Full operation remote control of agitator speed and mixing direction, pump, throttle and hose rewind

### **MORE DURABLE AND RELIABLE**

Exactly what you would expect from a **FINN**

Note: Some features listed are options at an extra cost. See a sales representative or dealer for further details



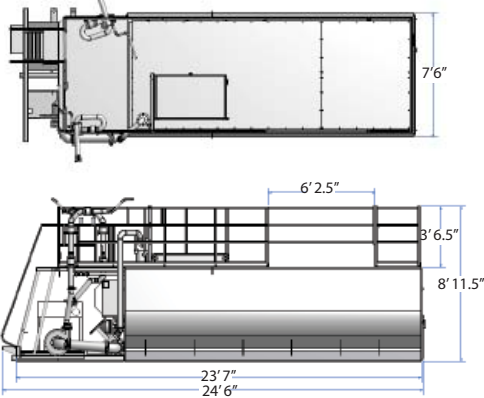
9281 LeSaint Drive  
Fairfield, OH 45014

(800) 543-7166  
sales@finncorp.com  
www.finncorp.com

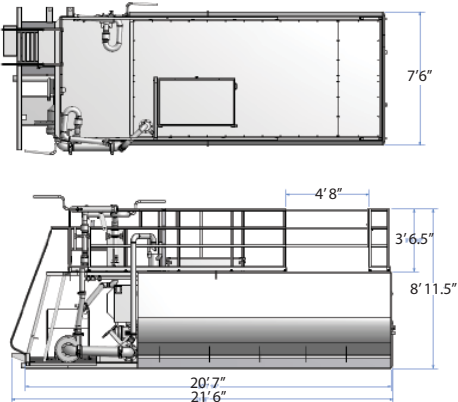


# TITAN 280/330/400 HYDROSEEDER®

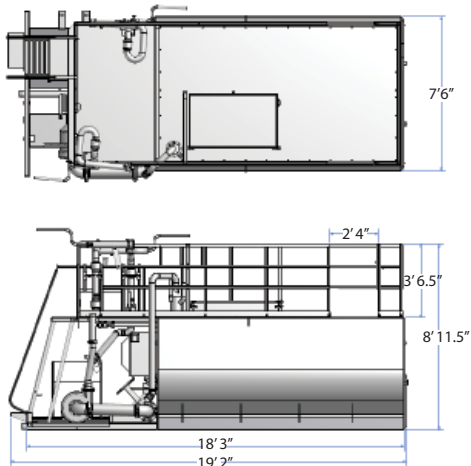
**TITAN 400 HYDROSEEDER®**



**TITAN 330 HYDROSEEDER®**



**TITAN 280 HYDROSEEDER®**



## TECHNICAL SPECIFICATIONS

**POWER** ..... Cummins QSB (4.5 L) Tier III compliant industrial water-cooled, 170 hp Turbo Diesel, with over-center clutch. Vibration isolated. Control panel with digital engine information display, throttle, pump on/off, horn, agitator direction and speed controls, e-stop

**ENGINE SAFETY SYSTEM** ..... Engine ECU with self-diagnostics including low oil pressure and high temperature shutoff

**TANK SIZE**..... Titan 400      3,975 gallon (15,047 liter) liquid capacity, 3,600 gallon (13,627 liter) working capacity  
Titan 330      3,350 gallon (12,681 liter) liquid capacity, 3,000 gallon (11,356 liter) working capacity  
Titan 280      2,750 gallon (10,410 liter) liquid capacity, 2,500 gallon (9,464 liter) working capacity

**FUEL TANK CAPACITY** ..... 38 gallon (144 liter)

**PUMP** ..... Centrifugal 6" x 3" (15.2 cm x 7.6 cm) 500 gpm @ 175 psi, 3/4" solid clearance

**PUMP DRIVE** ..... In-line coupled to air-controlled clutch, pump drive is independent of agitator operation

**AGITATION**..... Two (2) mechanical paddle agitators and liquid recirculation

**AGITATOR DRIVE**..... Reversible, variable speed hydraulic motor/gearbox drive (0-135 rpm) on agitators

**DISCHARGE DISTANCE** ..... Up to 320 ft. (97.5 m) from discharge tower

**MATERIAL CAPACITY** ..... Titan 400      12,400 lbs. (5,625 kg) granular solids, 1,800 lbs. (816 kg) fiber mulch  
Titan 330      10,000 lbs. (4,536 kg) granular solids, 1,500 lbs. (680 kg) fiber mulch  
Titan 280      8,000 lbs. (3,630 kg) granular solids, 1,250 lbs. (570 kg) fiber mulch

**MATERIAL CARRYING CAPACITY** ..... Titan 400      12,000 lbs. (5,443 kg) material  
Titan 330      12,000 lbs. (5,443 kg) material  
Titan 280      10,000 lbs. (4,536 kg) material

**NOZZLES** ..... (2) narrow fan, (2) wide fan, (2) long distance for boom

**EMPTY WEIGHT**..... Titan 400      13,180 lbs. (5,978 kg)  
Titan 330      12,340 lbs. (5,600 kg)  
Titan 280      11,690 lbs. (5,300 kg)

**WORKING WEIGHT**..... Titan 400      46,750 lbs. (21,200 kg)  
Titan 330      44,750 lbs. (20,300 kg)  
Titan 280      38,350 lbs. (17,390 kg)

**LOADING HATCH**..... Large steel hatch with 28½" x 48" opening and dual pivoting stainless steel bag cutter and safety bar

**OPTIONAL EQUIPMENT**..... Second discharge boom, Hose reel package, Remote control, Air flush, Third (3rd) Agitator