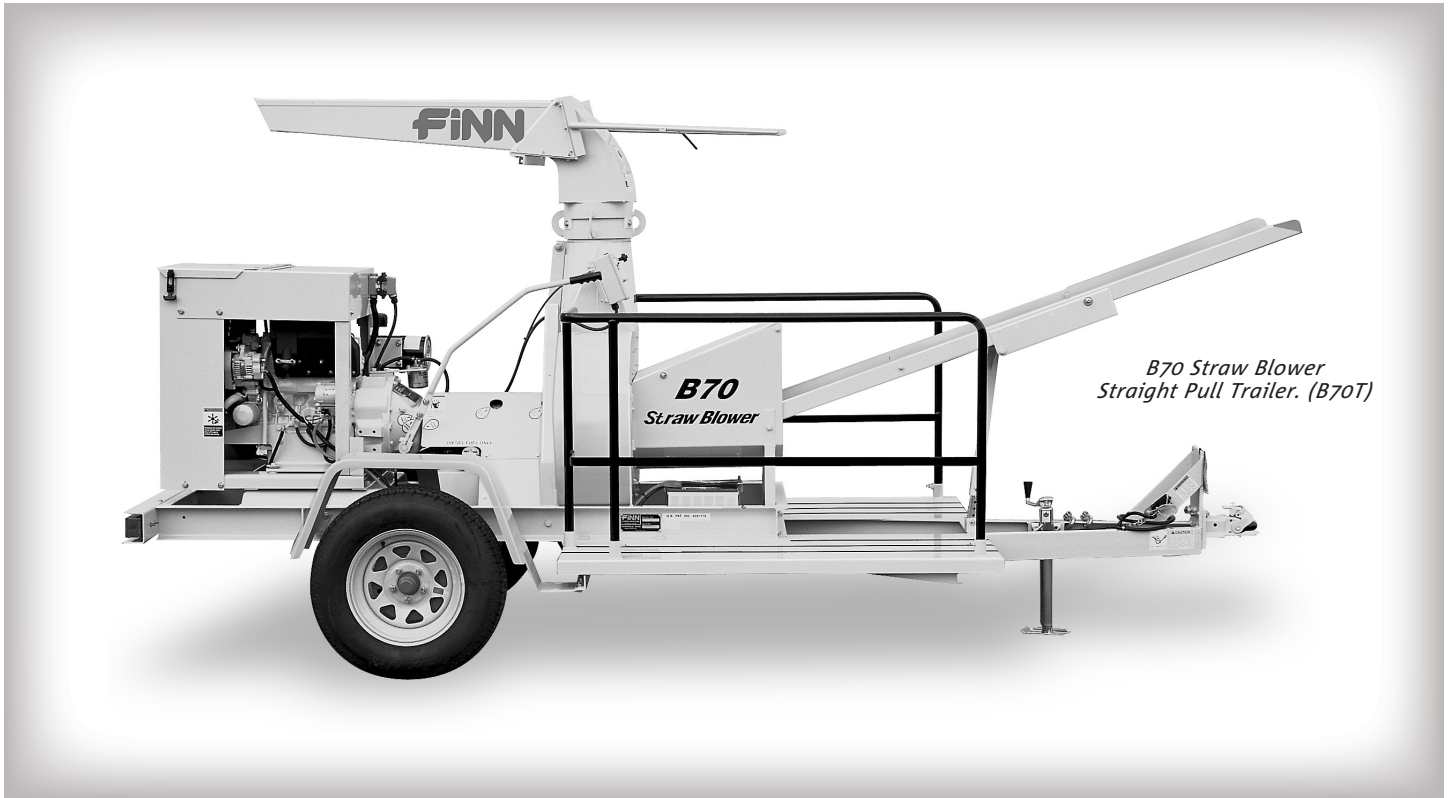




# Straw Blower

Model B70



*B70 Straw Blower  
Straight Pull Trailer. (B70T)*

The FINN B70 Straw Blower is an ideal performer for all mid-size mulching needs. Designed to handle a wide variety of mulching material, the B70 gives you the high productivity and dependability that is essential for tackling home sites, industrial and commercial projects, and highway roadsides.

## **Power & Performance.**

The B70 is capable of handling 6-7 tons per hour, while providing maximum operator convenience. The feed tray is adjustable in height and length, providing the most convenient positioning for feeding from your vehicle. The discharge spout is equipped with a tension device for easy one hand operation control. The large operator platforms on the trailer model allow control of the discharge spout, as well as feeding from either side of the machine.

## **When The Going Gets Tough.**

The B70 Straw Blower features independent torsion axle suspension and large 15" wheels, providing easy trailing on rough or uneven terrain. Electric brakes are standard equipment. The over-center clutch is also standard, eliminating shock load transmissions to the engine,

starter, and other driveline components. The B70 Straw Blower is also available as a skid model – an excellent option when you want a spreader and mulcher located on the same vehicle.

As the world leader for over 70 years in the design and manufacture of innovative, quality equipment for the erosion control industry, FINN Corporation is committed to your complete satisfaction.



*B70, Right Hand Feed, Straw Blower Skid Mounted. (B70S)*

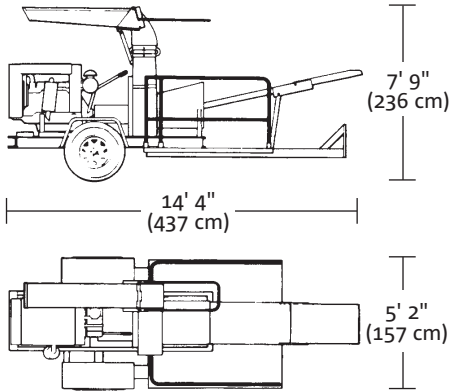
*Model shown may include optional equipment.*



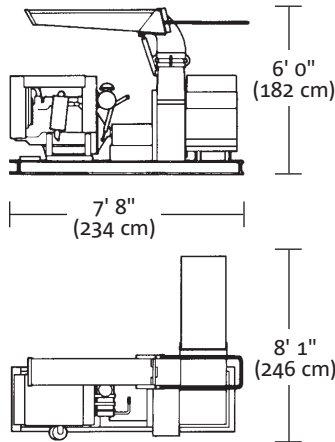
# Straw Blower

## Model B70 with Tier 4Final Diesel Engine

### B70T TRAILER



### B70S SKID MOUNT



### FINN MODEL B70 TECHNICAL SPECIFICATIONS

POWER..... Yanmar 3TNV88C-DYEM, 35.1hp (26.2kw), 3 cylinder water cooled diesel engine with over-center clutch. Tier 4Final. 1.642L

ENGINE SAFETY SYSTEM ..... Low oil pressure, high water temperature shutoff

CAPACITY ..... Up to 7 tons of hay or straw per hour

FUEL TANK CAPACITY ..... 11.8 gallon (44.7 liter)

BLOWER ..... Dynamically balanced, 21" (53 cm) diameter fan with 6 blades developing a discharge velocity greater than 150 mph (240 km/h)

RANGE..... 60 ft. (18 m) in still air

FEED..... Manual

BEATER CHAMBER ..... 3.5 cu. ft. (99 liter) with removable beater chains

DISCHARGE SPOUT ..... Block bearing mounted. 360 degrees horizontal rotation and 70 degrees vertical travel

TRAILER OPTION..... Independent suspension rubber torsion axle, ST205/75015 load range C tires, fenders, D.O.T highway lights, dual skid proof operator platforms, parking jack, 2" (5 cm) ball or heavy duty eye hitch

FEED TRAY..... Folding tray, adjustable height to meet bed of supply vehicle

DRIVE ..... Blower fan in-line coupled to over-center clutch with flexible coupling and two pillow block bearings

WEIGHT\*..... B70S 1,690 lbs. (767 kg)  
B70T 2,350 lbs. (1066 kg)

\*Weights are preliminary.

FINN Corporation has a policy of continuous product improvement, and reserves the right to change design and specifications without notice.

FINN Design® Logo is a trademark of FINN Corporation.

