

SCREEN MACHINE™ 77C SCALPER SCREEN PLANT

AMERICAN-MADE INNOVATION SINCE 1966

PORTABLE SCALPING POWER!

- Easy To Transport To Any Worksite
- Patented Smooth Start® Technology
- Exceptional Durability And Productivity



77C SPECIFICATIONS

Height	10'-6"	3.2m
Length	28'-2"	8.6m
Width	7'-8"	2.3m
Total Weight	19,500 lbs.	8,845Kg

USA-made grade 80 steel, two bearing screen design

Extensive variety of screen types to meet all applications

8' - 3" (2.5m) low feed height

Smooth Start® Technology (U.S. Patent #6,669,026) eliminates stress and shaking at start-up and shut-down

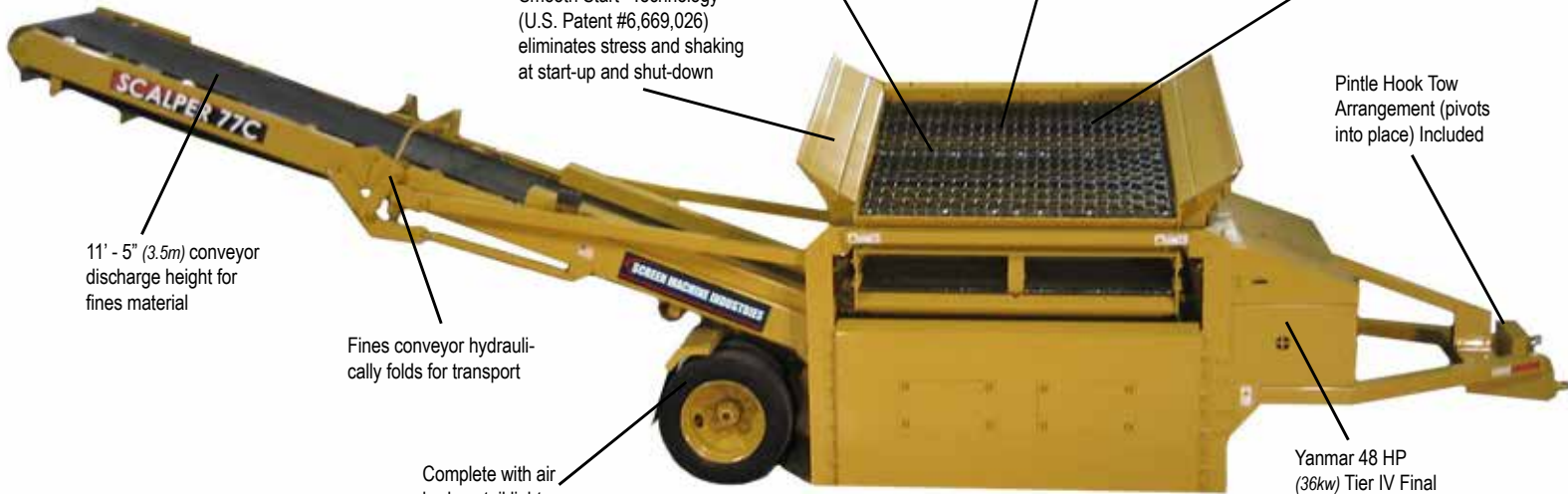
Pintle Hook Tow Arrangement (pivots into place) Included

11' - 5" (3.5m) conveyor discharge height for fines material

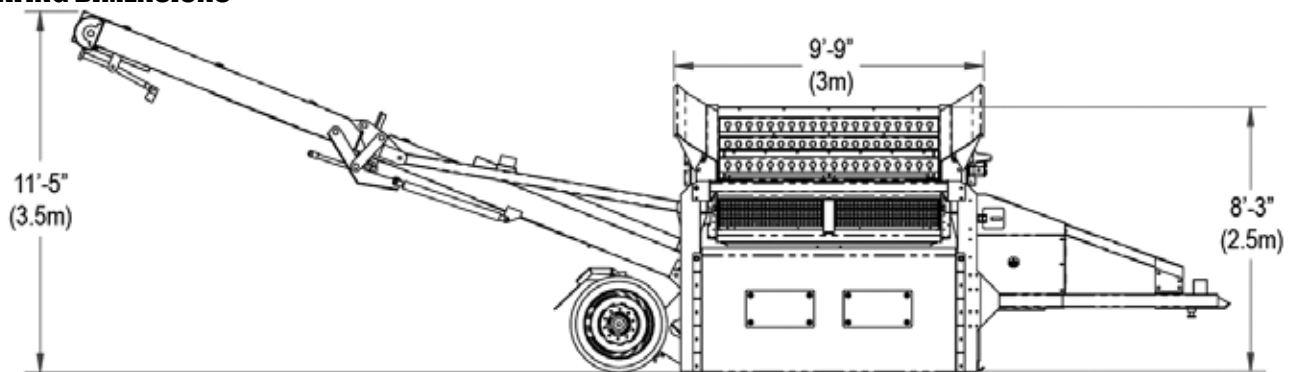
Fines conveyor hydraulically folds for transport

Complete with air brakes, tail lights and mud flaps

Yanmar 48 HP (36kw) Tier IV Final diesel engine

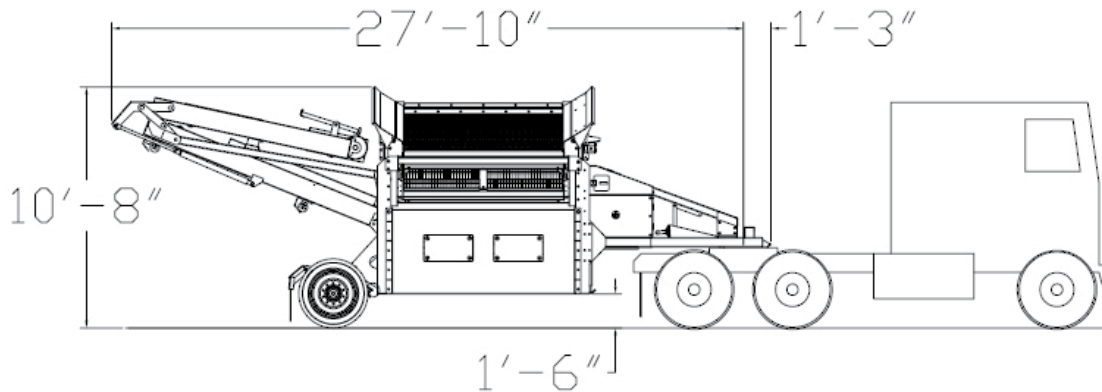


OPERATING DIMENSIONS

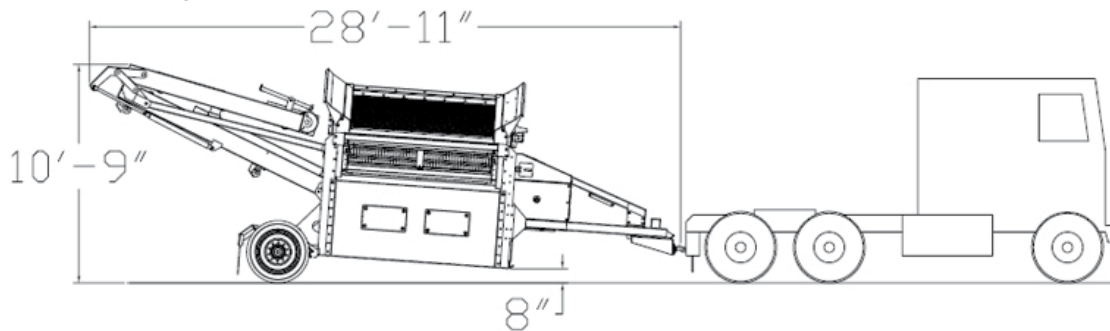


TRANSPORT DIMENSIONS

FIFTH-WHEEL TOW



PINTLE TOW



SCREEN

- USA-made grade 80 steel, two-bearing screen design
- 7'-0" x 7'-0" (2.13m x 2.13m) top screen deck (1 screen)
- 7'-0" x 6'-0" (2.13m x 1.83m) bottom deck (2 screens)
- Smooth Start® Technology (US Patent #6,401,993)
- Extensive variety of screen types to meet all applications
- Hydraulic quick disconnect lines for reverse deck throw
- 10" (254 mm) clearance between decks
- 9'-9" (2.97m) feed width across deck span
- 8'-3" (2.51m) feed load over height

POWER SYSTEMS

- Yanmar® 48 HP (36kw) Tier IV Final diesel engine
- 42 gallon (159L) baffled hydraulic tank and oil cooler
- 40 gallon (152L) diesel fuel tank
- Lockable control panels!

STRUCTURE/UNDERCARRIAGE

- USA-made grade 80 steel construction
- Single axle with dual 255/70 x R22.5 - low profile tires
- Hydraulic axle raise and lower
- Hydraulic landing gear for ease of tow hook up
- 5" (127 mm) troughing can idlers
- 5" (127 mm) rubber disc returns
- Fines conveyor hydraulically folds for transport
- 36" (914mm) main discharge belt with guide rollers
- Wing tail pulley
- Lagged herringbone head pulley
- Remote grease lines for all bearings for ease of access

ADDITIONAL FEATURES

- Brake lights, directional lights
- Fenders and mud flaps
- Standard: Fifth wheel tow configuration
- Pintle hook tow arrangement (pivots into place) included

Height	Length	Width	Weight	Screen Size (2)	Conveyor Width	Discharge Height	Engine	Wheels	Fuel Capacity	Hydraulic Capacity
10'-6"	28'-2"	7'-8"	19,500lbs	7'-0"x7'-0"	36"	11'-5"	Yanmar	Dual 255/	40gal	42gal
3.2m	8.6m	2.3m	8,845kgs	2.13m	914mm	3.5m	48 HP	x 22.5"	159L	159L
				x2.13m			36kw	70R22		