

SCREEN MACHINE™ 612W TROMMEL SCREEN PLANT

AMERICAN-MADE INNOVATION SINCE 1966



- BEST IN CLASS TROMMEL!**
- Rapid Change Screen Cloth System
 - Windrow Stacking Capability
 - Proven Productivity And Dependability

612W SPECIFICATIONS

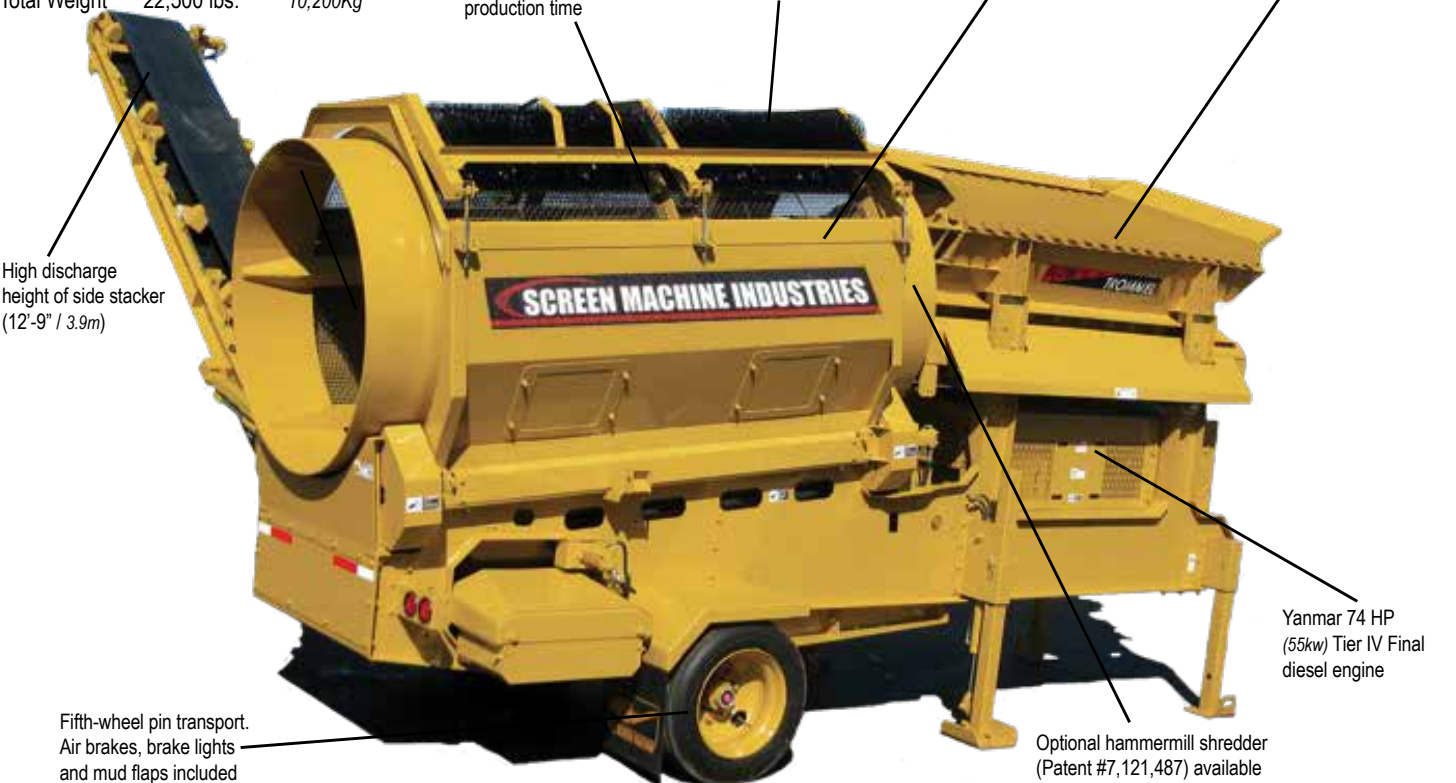
Height	12'-6"	3.81m
Length	24'-1"	7.35m
Width	8'-6"	2.59m
Total Weight	22,500 lbs.	10,200Kg

Rapid change screen cloth system saves hours of time when a screen change is required, meaning more production time

Heavy-duty, self-cleaning trommel brushes included

Four-wheel/twin-motor driven trommel drum delivers consistent productivity

Optional remote control tipping grizzly helps pre-sort material before screening. Optional vibrating screen over feeder also available

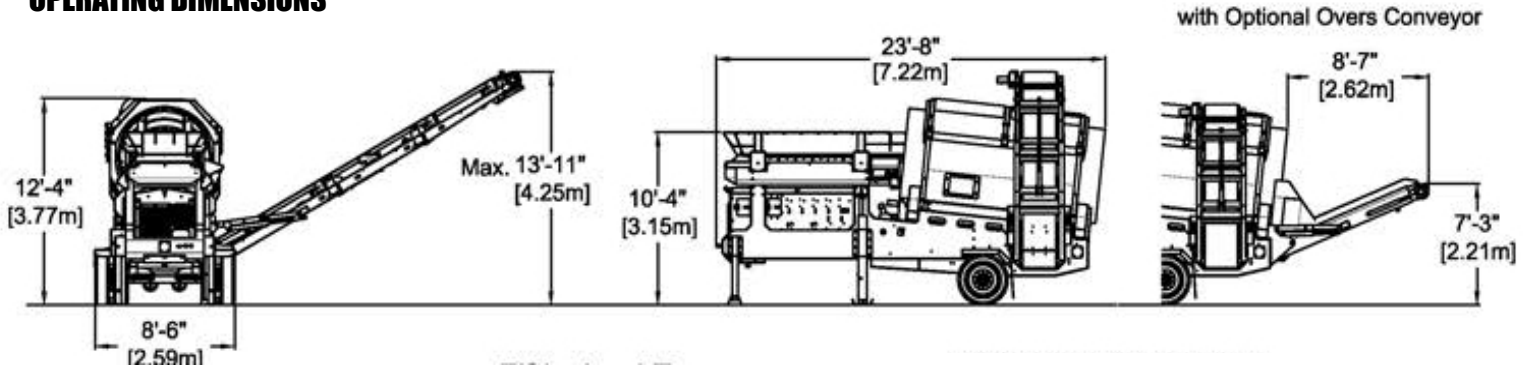


High discharge height of side stacker (12'-9" / 3.9m)

Fifth-wheel pin transport. Air brakes, brake lights and mud flaps included

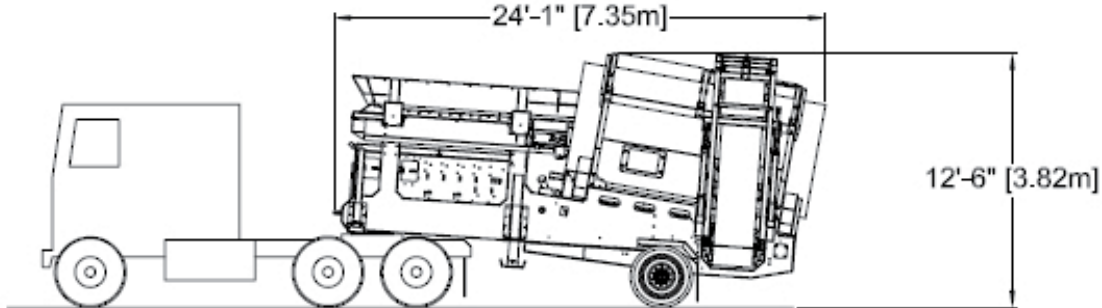
Yanmar 74 HP (55kw) Tier IV Final diesel engine

Optional hammermill shredder (Patent #7,121,487) available

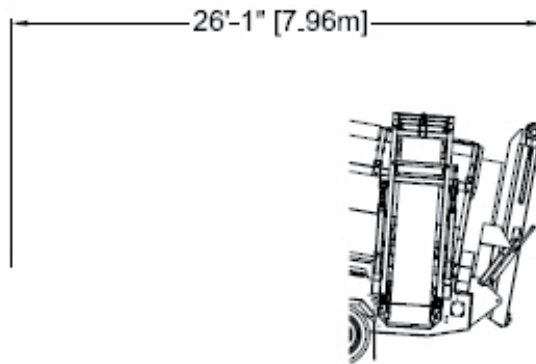


TRANSPORT DIMENSIONS

Fifthwheel Tow



W/ Optional Overs Conveyor



TROMMEL SCREEN

- 6' x 12' (1.9m x 3.7m) trommel drum
- 160 Sq. Feet (14.8 Sq. Meters) of actual screen size
- Cable/hinge lock design allows quick screen replacement. No additional drum purchase required
- Self-cleaning brushes maintain efficient screen processing performance
- Screens included are standard wire cloth 1/2" - 1 1/2" (13mm - 38mm)
- Heavy-duty steel drum shell with large triangular tumbling paddles
- Four wheel/twin motor and twin shaft trommel drum drive

POWER SYSTEMS and STRUCTURE

- Yanmar® 74 HP (55kw) Tier IV Final diesel engine
- 70 gallon (265L) fuel tank allows 16+ hours of continuous run-time
- 70 gallon (265L) hydraulic tank with cooler
- 22,500 lb. axle with air brakes
- Fifth-wheel pin transport
- Brake lights, turn signals and mud flaps included

HOPPER/FEEDER

- 4.5 Cu. Yard hopper (3.44 Cu. Meter)
- Hydraulically variable speed feed belt
- 36" wide (910mm) 330 PIW main feed belt
- 5" (127mm) rubber wrap idler
- Temporary feeder shut-off on trommel overload

CONVEYOR/BELTS

- Unders belt is 42" (1,067mm) wide, 150 PIW
- Side discharge belt is 24" (610mm) wide, 220 PIW
- Spring-loaded scraper bars made of UHMW
- Four guide rollers per conveyor for belt tracking
- 13'-11" (4.25m) discharge height on side stacking conveyor accommodates direct truck loading

OPTIONS

- Hammertmill shredder (U.S. Patent #7,121,487)
- Remote tipping grizzly
- Vibrating Screen over Feeder

Height	Length	Width	Weight	Trommel Size	Trommel Sq. Ft.	Conveyor Widths	Discharge Heights	Engine	Wheels	Fuel Capacity	Hydraulic Capacity
11'-6" 3.51m	24'-1" 7.35m	8'-6" 2.59m	22,500lbs 10,200kgs	6'-0"x12'-0" 1.9m x 3.7m	160'	Main 42" Side 24"	Main 13'-11" Side 7'-3"	Yanmar 74 HP 55kw	8.25-22.5	70gal 265L	70gal 265L