

SCREEN MACHINE 514TS3 SPYDER SCREEN PLANT

AMERICAN-MADE INNOVATION SINCE 1966

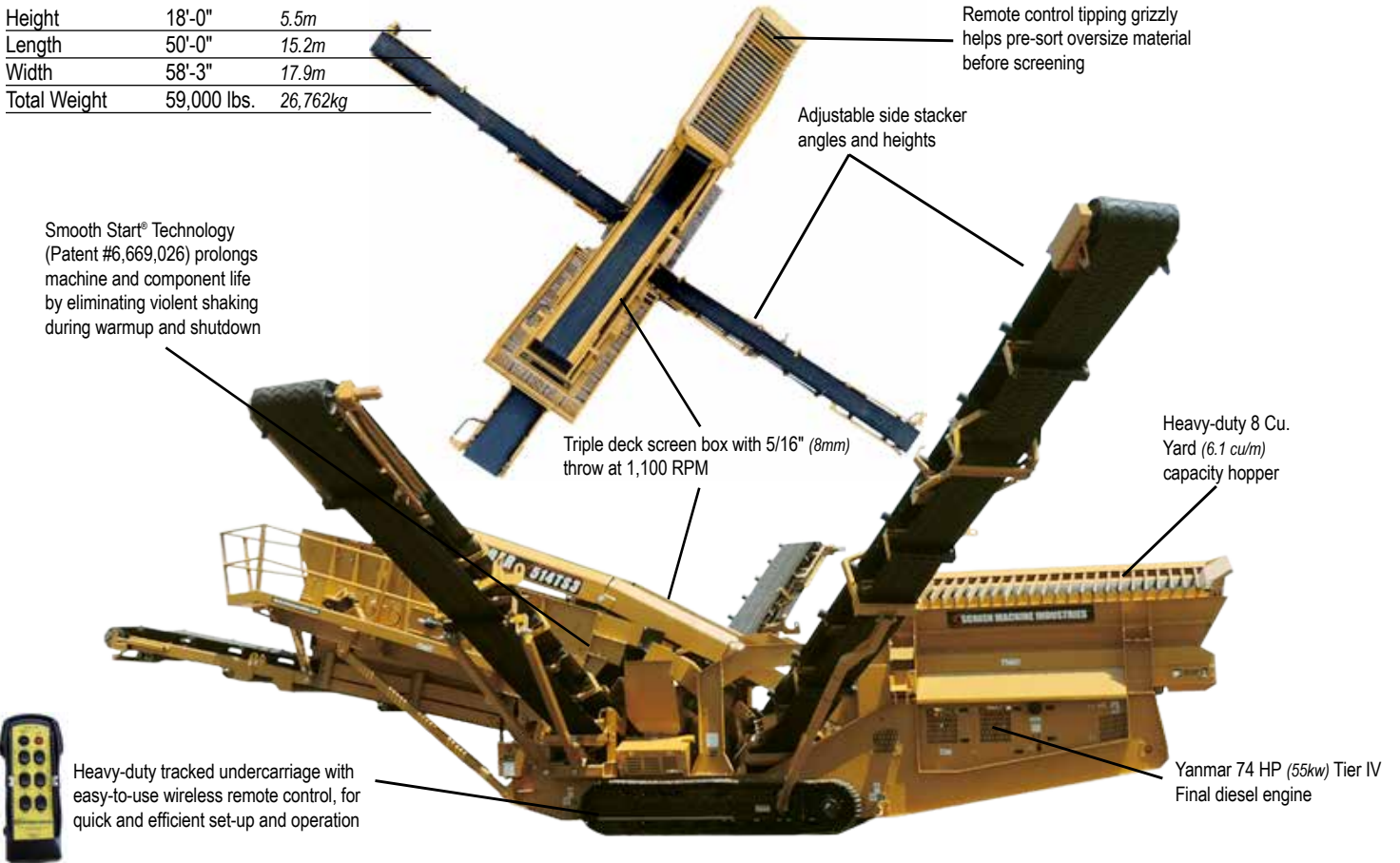
TRIPLE DECK SCREENING

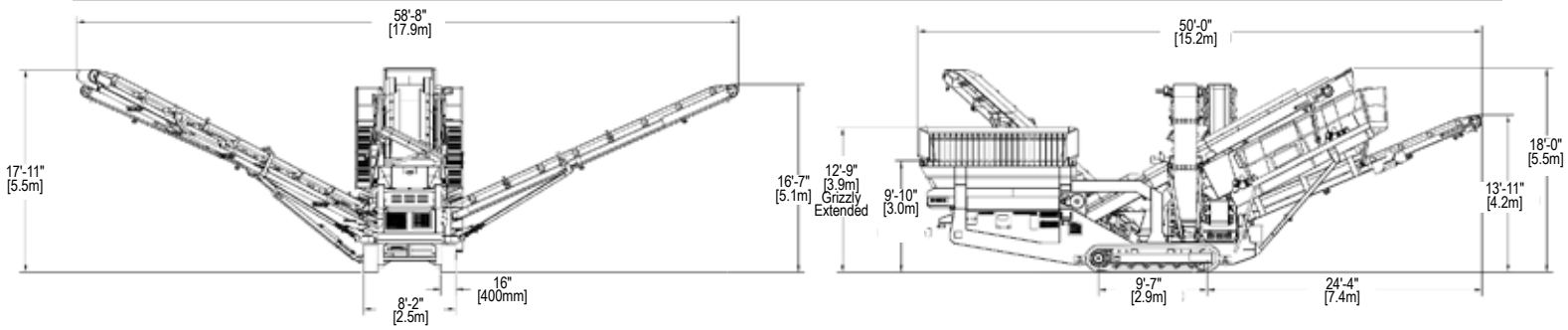
- Generates Up To 4 Sized Products
- Proven Productivity And Dependability
- Patented Smooth Start® Technology



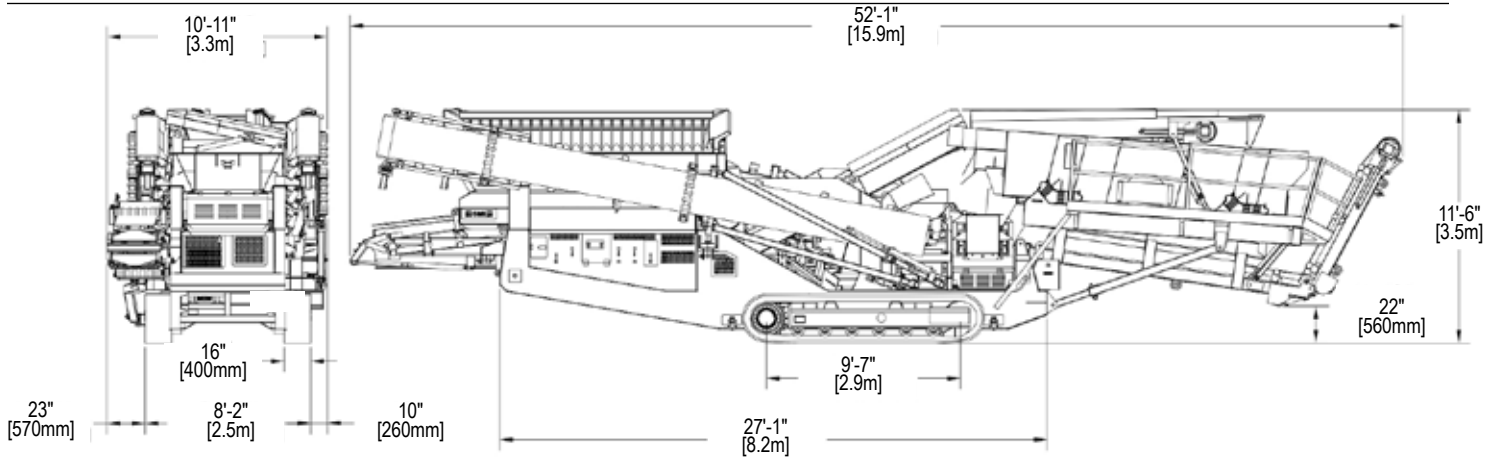
514TS3 OPERATING SPECIFICATIONS

Height	18'-0"	5.5m
Length	50'-0"	15.2m
Width	58'-3"	17.9m
Total Weight	59,000 lbs.	26,762kg





TRANSPORT DIMENSIONS



SCREENS

- Triple-deck, two-bearing screen boxes
- 5'-0" x 14'-0" (1.5m x 4.3m) top deck, middle deck
- 5'-0" x 12'-0" (1.5m x 3.7m) bottom deck
- Adjustable screen angles (4 operating positions)
- 1/4" (6mm) USA-made Grade 80 steel screen box walls
- Smooth Start™ Technology (US Patent #6,669,026)
- Main and Fines conveyors split from screen box for easy maintenance
- Top deck side tension wire screen cloth (included)
- Bottom deck end tension wire cloth or harp deck screens (included)

POWER SYSTEMS and CONTROLS

- Yanmar® 74 HP (55kw) Tier IV Final diesel engine
- 75 gallon (284L) fuel tank with lockable fuel cap
- 125 gallon (473L) baffled hydraulic tank
- Four (4) emergency stops plus (1) stop button on wireless remote

UNDERCARRIAGE

- Heavy-duty tracks with 8" (203mm) ground clearance
- 15.7" (400mm) shoe width w/outside track dimension of 8'-2" (2.5m)
- Sealed and lubricated pins and bushings

MAIN/DISCHARGE WINDROW CONVEYORS

- 42" (1,067mm) main belt raises from screen box for maintenance
- Overs, Large Mids, Small Mids discharge belts cteated and variable speed
- 17'-11" (5.5m) Oversize discharge height / 24" (600mm) belt width
- 13'-11" (4.2m) Fines discharge height / 42" (1,067mm) belt width
- 16'-7" (5.1m) Large Mids discharge height / 24" (600mm) belt width
- 16'-7" (5.1m) Small Mids / 24" (600mm) belt width
- Side discharge belt angles: 18°, 21°, 24°; Fines belt adjustable up to 23°

HOPPER/FEEDER

- 1/4" (6mm) thick steel side walls
- 9 7/8" (251mm) center-to-center spacing on idlers
- 5" (127mm) diameter center idler cans
- 42" (1,067mm) wide 3-ply 330 PIW belt
- Hydraulic motor drive with 12" (305mm) lagged head pulley
- Low feed height - 9'-4" (2.8m) without grizzly
- Feed height of 12'-9" (3.9m) at high side of grizzly (3 height settings)
- 8 Cu. Yard (6.1 Cu. Meter) hopper capacity
- Feed opening 13'-0" x 5'-0" (4m x 1.5m) without grizzly
- Feed opening 14'-0" x 5'-0" (4.3m x 1.5m) with grizzly
- Feed Match: 3-4 yd³ loader or 1-3 yd³ excavator

Height	Length	Width	Weight	Screen Decks				Conveyor Widths				Discharge Heights			Engine	Tracks	Fuel Capacity	Hydraulic Capacity
				Top Deck	Mid Deck	Bottom Deck	Oversize	Lg Mids	Sm Mids	Fines	Oversize	Lg Mids	Sm Mids	Fines				
18'-0"	50'-0"	58'-3"	59,000lbs	5'-0"x14'-0"	5'-0"x14'-0"	5'-0"x12'-0"	24"	24"	24"	42"	17'-11"	16'-7"	16'-7"	13'-11"	Yanmar	15.7" wide	75gal	125gal
5.5m	15.2m	17.9m	26,762kg	1.5m	1.5m	1.5m	610mm	610mm	610mm	1,067mm	5.5m	5.1m	5.1m	4.2m	74 HP	400mm	284L	473L
				x4.3m	x4.3m	x3.7m									55kw			