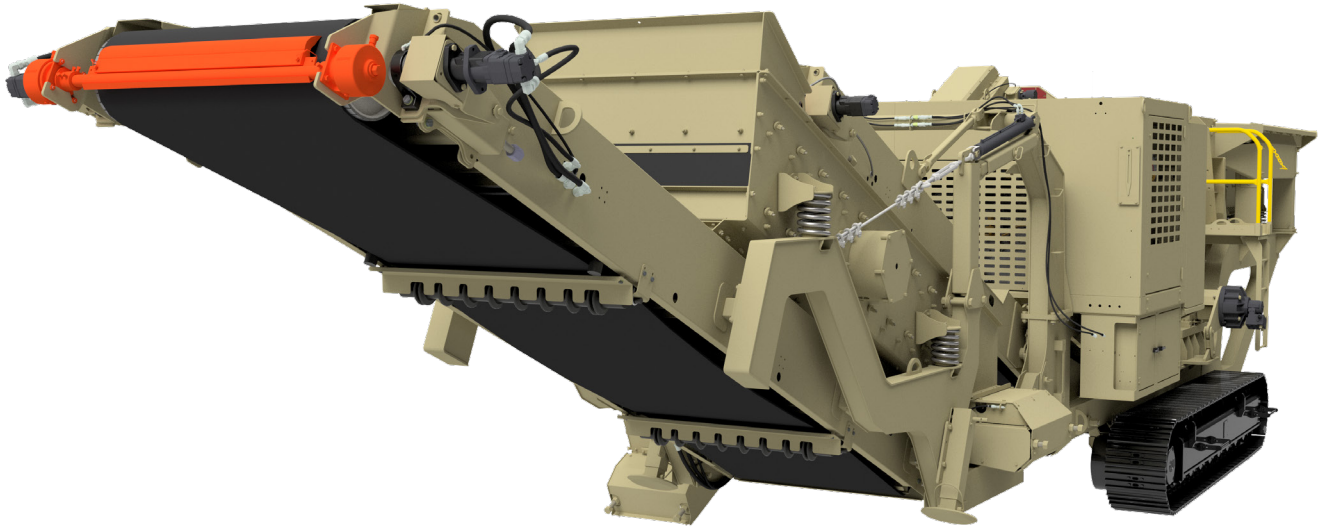


GT440CC

Track Mounted Crushing Plant Closed Circuit



Vibrating Grizzly Feeder

- 40" (1016mm) x 14' (4.3m) Vibrating Pan Feeder
- 6 cubic yard hopper
- 43" step deck grizzly fingers 1" nominal spacing
- Bypass chute with flop gate and AR liner

Impact Crusher - Andreas HSI

- HSI opening height - 36" (914mm) HSI width - 40" (1016mm)
- 3 bar MPR rotor
- Multiple blow bar chemistries available to fit application
- Two (2) fully lined aprons
- Minimum apron settings - primary 2", secondary 1"
- Hydraulic adjustment
- RPM maximums vary on application and rotor
- Hydraulically actuated rear access

Under Crusher Conveyor

- 36" (900mm) fixed height with full spill boards
- Impact bed, 360PIW, endless belting
- Lowers for transport, easily removed

Return Conveyor

- 18" recirculating conveyor
- Hydraulically lowers for transport
- Return chute with hydraulic fold

Screen and Underscreen Conveyor

- 5' x 10' 2-deck (screen cloth optional)
- 48" (1200mm) under screen conveyor
- 24" (600 mm) cross conveyor
- Easily removed for maintenance
- Lowers for transport

Chassis

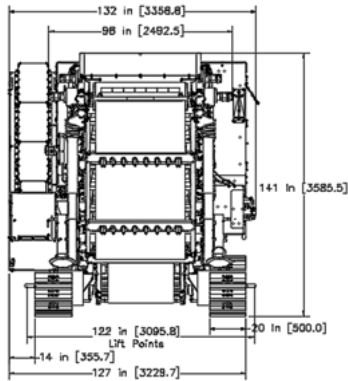
- Sculpted frame design
- 24" (500mm) tracks with dual drive
- Balanced for zero cribbing
- Dust suppression with manifold

Power Unit

- Cummins QSL9 380 hp / 258kw Tier 4 Final
- 140gal / 530L fuel tank
- 135gal / 511 oil reservoir
- One 12 GPM and one 20 GPM hydraulic circuits for magnet, side delivery, or auxiliary
- Radio remote / tether control system
- OPS 7 with push button or touchscreen
- Crusher CSS adjusted safely at control panel
- Real time system monitoring display
- Engine enclosure filter kit

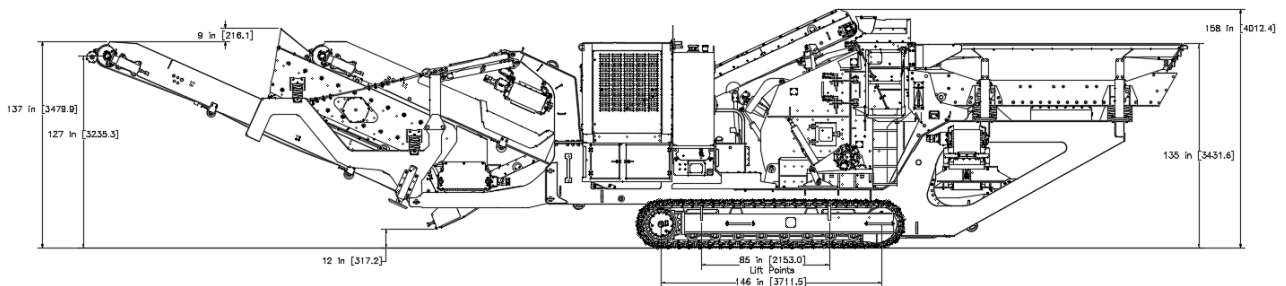
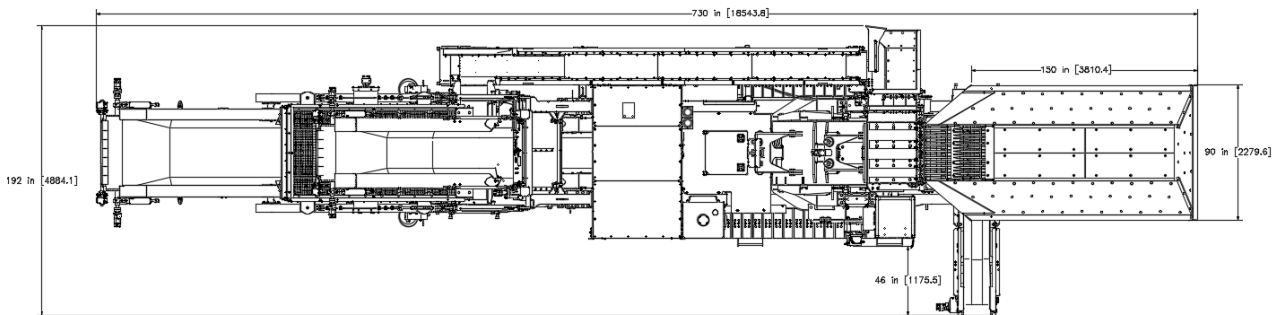
Options

- 18" Side Delivery with hydraulic fold
- Permanent cross belt magnet
- Screen wire mesh for 5' x 10' screen
- Grizzly Pre-Screener with 3/4" spacing
- Grizzly Bars with 2.5" spacing vs. grizzly fingers
- Lighting package mounted on engine housing
- Belt scale for under crusher conveyor
- 4 bar rotor (with 2 up, 2 down) vs. std.
- CAT C13 440HP Tier III vs. Tier IV (international)
- Flop gate on return chute to direct overs off plant



Physical/Operating Characteristics

Dimension	Standard	Metric
Operating Length	60' 10"	18.5 m
Operating Width	11' 0"	3.4 m
Travel Length	61' 3"	18.6 m
Operating Width w/ Discharge	16' 0"	4.9 m
Operating Height	13' 2"	4.0 m
Travel Width	11' 0"	3.4 m
Travel Height	11' 9"	3.6 m
Feed Height	11' 3"	3.4 m
Ground Clearance	8"	0.2 m
Discharge Height	10' 7"	3.2 m
Highest Estimated Decibel Level (Operating with No Material)	100dB at 3' 70dB at 200'	0.9 m 61 m
Side Discharge (if equipped)	6' 1"	1.8 m
Under Crusher Conveyor	5,265 lbs	2,390 kg
Total Weight	99,000 lbs	44,905 kg
Feeder & Hopper	10,890 lbs	4,940 kg
Screen Package	11,240 lbs	5,098 kg
Optional Magnet	1,830 lbs	830 kg
Return Conveyor	2,235 lbs	1,015 kg
Optional Side Delivery	1,130 lbs	512 kg



Kolberg-Pioneer, Inc.
700 West 21st Street,
Yankton, SD 57078
1 (800) 542-9311
mail@kpijci.com
www.kpijci.com

NOTE: CONSULT FACTORY FOR EXACT DIMENSIONS, specifications are subject to change without notice.

Because Kolberg-Pioneer, Inc., Johnson Crushers International, Inc. and Astec Mobile Screens, Inc. may use in their catalog and literature, field photographs of their products which may have been modified by the owners, products furnished by Kolberg-Pioneer, Inc., Johnson Crushers International, Inc. and Astec Mobile Screens, Inc. do not warrant or represent that their products meet any federal, state, or local statutes, codes, ordinances, rules, standards or other regulations, including OSHA and MSHA, covering safety, pollution, electrical wiring, etc. Compliance with these statutes and regulations is the responsibility of the user and will be dependent upon the area and the use to which the product is put by the user. In some photographs, guards may have been removed for illustrative purposes only. This equipment should not be operated without all guards attached in their normal position. Placement of guards and other safety equipment is often dependent upon the area and how the product is used. A safety study should be made by the user of the application, and, if required additional guards, warning signs and other safety devices should be installed by the user, wherever appropriate before operating the products.