

GT200

Track-Mounted Cone Crushing Plant



1200LS Crusher

- TIR system utilizing pressure relief valve technology which minimizes crusher overload impact shock loads transmitted to crusher components
- Hydraulic chamber clear feature which raises the crusher upper chamber allowing rock to flow through the crushing chamber by simply activating a manual valve
- Crusher has all roller bearing construction for improved production and energy efficiency compared to crushers with bushing construction
- One-piece cast base frame for improved strength
- Crushing chamber is designed to crush a broad range of aggregate in feed sizes at varied closed side settings utilizing a single liner configuration
- External crusher lubrication reservoir which is heated by the engine coolant

Chassis

- I-beam/box frame design balanced for zero cribbing
- Components fold for transport
- Grease lines for easy maintenance

Heavy Duty Belt Feeder

- 42" feed conveyor
- Heavy duty grade 1 belting
- Loading hopper with 6 cubic yard capacity

Under Crusher Conveyor

- 36" under crusher conveyor
- Grade II, 330 3 ply belting
- Fully skirted, 45 degree troughing rollers
- Tail section lowers for maintenance access

Power Unit

- Cummins QSL9 Tier 4 Final rated @ 350hp/260kW
- 200gal/757L fuel tank

Controls

- PLC control
- Common track tether for GT line
- Simple plug and go design
- Simple manual hydraulic valves to activate conveyors and control crusher functions

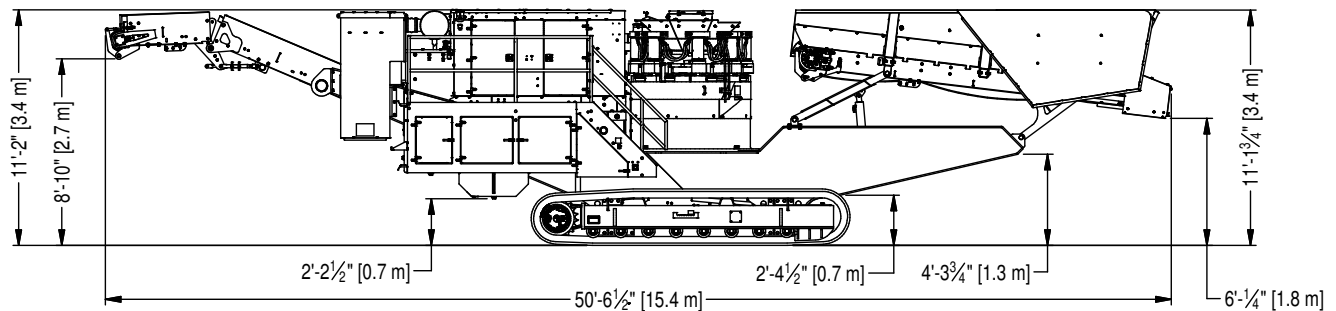
Options

- Radio control for track functions
- Engine inlet air baghouse
- Engine overload protection and cone hopper level sensor for steady operation
- Feed hopper folding wing extensions
- CAT C9 Tier 3 rated @ 325hp/240kW
- Dust suppression (optional)
- Cold weather Kit (optional)

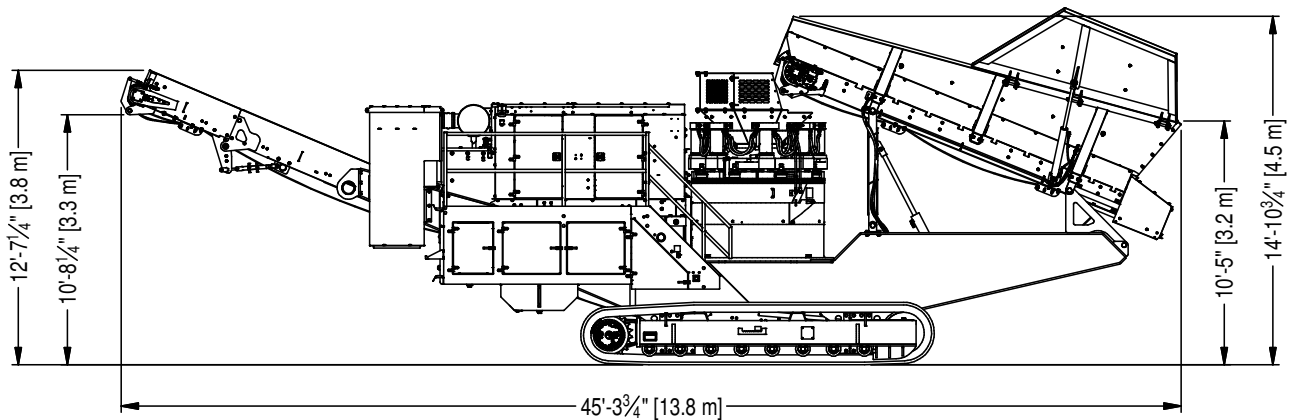
Physical/Operating Characteristics

Dimension	Standard	Metric
Operating Length	45'-3 3/4"	13.8 m
Operating Height	14'-10 3/4"	4.5 m
Travel Height	11'-1 3/4"	3.4 m
Travel Width	10'-3 1/2"	3.1 m
Feed Height	10'-5"	3.2 m
Max Feed Size Up To	9 3/8"	238 mm
Unit Weight (standard)*	79,500 lbs	36,060 kg

Travel Mode



Operation Mode



Johnson Crushers International, Inc.
 86470 Franklin Blvd.,
 Eugene, OR 97405
 1 (800) 314-4645
 mail@jciieg.com
 www.kpijci.com

NOTE: CONSULT FACTORY FOR EXACT DIMENSIONS, specifications are subject to change without notice.

Because Kolberg-Pioneer, Inc., Johnson Crushers International, Inc. and Astec Mobile Screens, Inc. may use in their catalog and literature, field photographs of their products which may have been modified by the owners, products furnished by Kolberg-Pioneer, Inc., Johnson Crushers International, Inc. and Astec Mobile Screens, Inc. do not warrant or represent that their products meet any federal, state, or local statutes, codes, ordinances, rules, standards or other regulations, including OSHA and MSHA, covering safety, pollution, electrical wiring, etc. Compliance with these statutes and regulations is the responsibility of the user and will be dependent upon the area and the use to which the product is put by the user. In some photographs, guards may have been removed for illustrative purposes only. This equipment should not be operated without all guards attached in their normal position. Placement of guards and other safety equipment is often dependent upon the area and how the product is used. A safety study should be made by the user of the application, and, if required additional guards, warning signs and other safety devices should be installed by the user, wherever appropriate before operating the products.