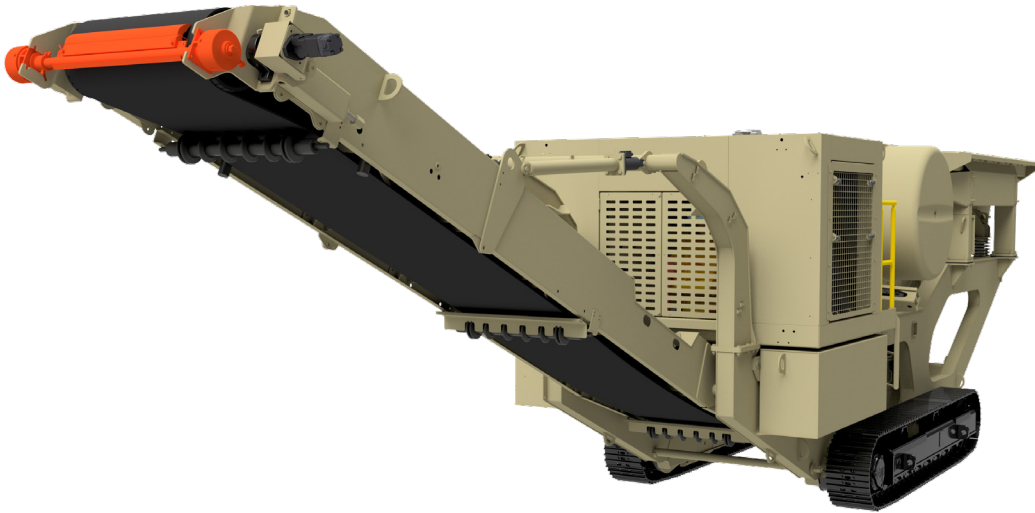


GT125

Track Mounted Crushing Plant



Vibrating Grizzly Feeder

- 40" (1016mm) x 14' (4.3m) Vibrating Pan Feeder
- 5.5 cubic yard hopper
- 30" grizzly bars 2.5" nominal spacing
- Bypass chute with flop gate

Jaw Crusher - Vanguard

- Jaw opening - 27" (686mm) Jaw width - 42" (1067 mm)
- 275 RPM maximum with 1.25" stroke
- 50" flywheels with AISI 4150 11.25" forged steel shaft
- Three (3) piece AR steel side liners
- Manganese steel jaw dies, cast steel pitman
- Shim-less hydraulic wedge adjust, min CSS 2.5"

Under Crusher Conveyor

- 36" (900mm) fixed height with full spill boards
- Impact bed, 360PIW 4 ply
- Easily removed for maintenance

Chassis

- Sculpted frame design
- 15.7" (400mm) tracks with dual drive
- Track length 10' 8" (3.2m)
- Balanced for zero cribbing
- Dust suppression with manifold

Power And Controls

- CAT C7.1 225hp / 166kw Tier 4 Final
- 140gal (530L) fuel tank
- 70gal (265) oil reservoir
- One 12GPM and one 20GPM hydraulic circuits for magnet, side delivery, or auxiliary
- Radio remote / tether control system
- OPS 7 with push button or touchscreen
- Crusher CSS adjusted safely at control panel
- Real time system monitoring display

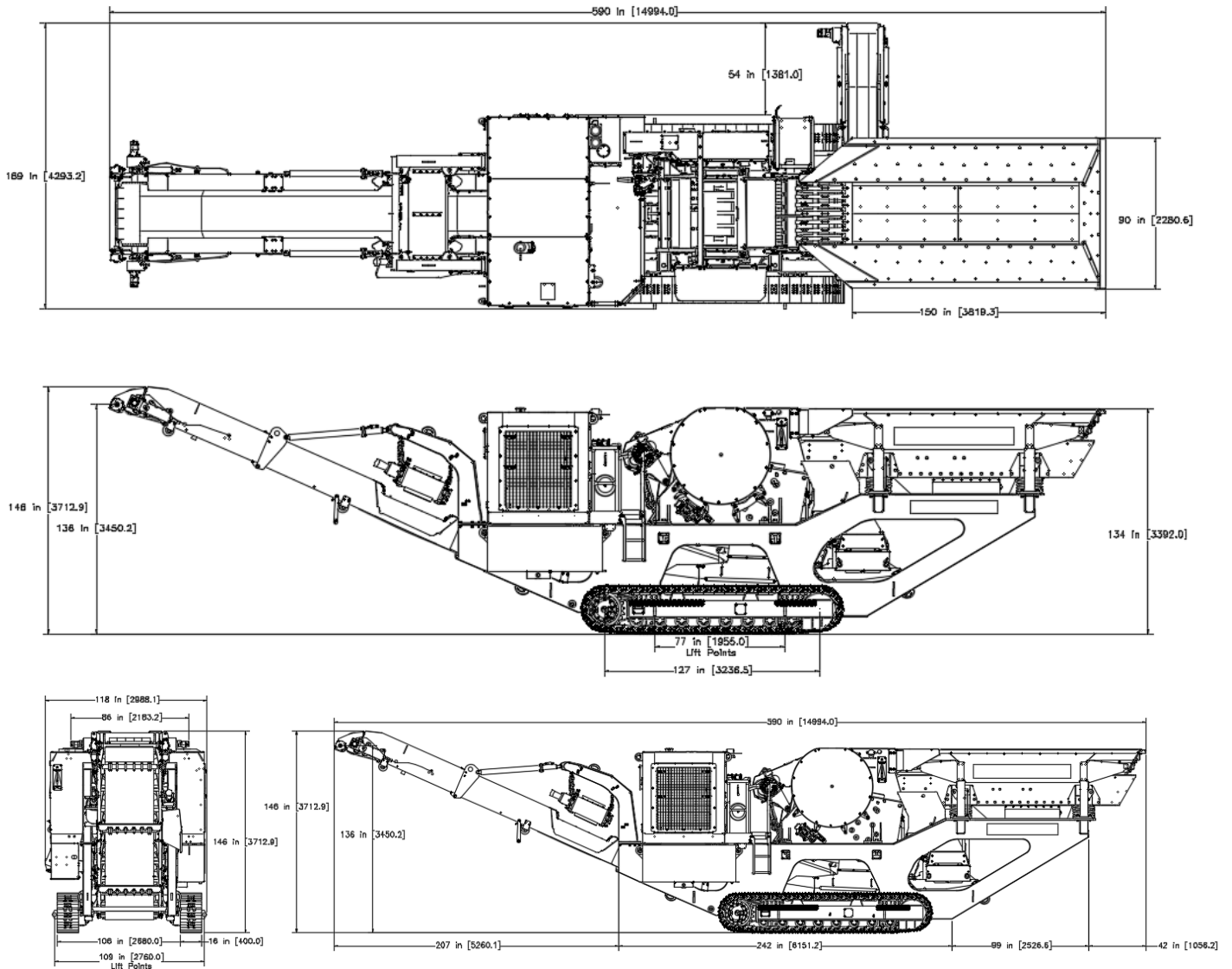
Options

- 18" Side Delivery with hydraulic fold
- Permanent cross belt magnet
- CAT 7 225HP Tier III vs. Tier IV (International)
- Grizzly Fingers with 2" spacing vs. grizzly bars
- Grizzly Pre-Screener with 3/4" spacing
- Lighting package mounted on engine housing
- Belt scale for under crusher conveyor
- Engine enclosure filter kit

Physical/Operating Characteristics

Dimension	Standard	Metric
Operating Length	49' 1"	15.0 m
Operating Width	9' 7"	2.9 m
Travel Length	49' 1"	15.0 m
Operating Width w/ Discharge	14' 1"	4.3 m
Operating Height	12' 2"	3.7 m
Travel Width	9' 10"	3.0 m
Travel Height	12' 0"	3.7 m
Feed Height	11' 2"	3.4 m

Dimension	Standard	Metric
Ground Clearance	10"	0.3 m
Discharge Height	11' 4"	3.5 m
Side Discharge (optional)	4' 5"	1.4 m
Weight	79,500 lbs	36,060 kg
Under Crusher Conveyor	5,300 lbs	2,400 kg
Optional Magnet	1,700 lbs	770 kg
Feeder & Hopper	11,450 lbs	5,200 kg
Optional Side Delivery	1,280 lbs	580 kg
Capacity	325tph	295mtph



Kolberg-Pioneer, Inc.
 700 West 21st Street,
 Yankton, SD 57078
 1 (800) 542-9311
 mail@kpijci.com
 www.kpijci.com

NOTE: CONSULT FACTORY FOR EXACT DIMENSIONS, specifications are subject to change without notice.

Because Kolberg-Pioneer, Inc., Johnson Crushers International, Inc. and Astec Mobile Screens, Inc. may use in their catalog and literature, field photographs of their products which may have been modified by the owners, products furnished by Kolberg-Pioneer, Inc., Johnson Crushers International, Inc. and Astec Mobile Screens, Inc. do not warrant or represent that their products meet any federal, state, or local statutes, codes, ordinances, rules, standards or other regulations, including OSHA and MSHA, covering safety, pollution, electrical wiring, etc. Compliance with these statutes and regulations is the responsibility of the user and will be dependent upon the area and the use to which the product is put by the user. In some photographs, guards may have been removed for illustrative purposes only. This equipment should not be operated without all guards attached in their normal position. Placement of guards and other safety equipment is often dependent upon the area and how the product is used. A safety study should be made by the user of the application, and, if required additional guards, warning signs and other safety devices should be installed by the user, wherever appropriate before operating the products.