

FT52600C

Track Mounted Crushing Plant Open Circuit



Vibrating Grizzly Feeder

- 50" (1270mm) x 18' (5.5m) Vibrating Pan Feeder
- 6.5 cubic yard hopper with fixed walls
- 5' step-deck grizzly fingers 1.5" nominal spacing
- Bypass chute with flop gate and AR liner

Impact Crusher - HSI

- HSI opening height - 36" (914mm) HSI width - 60" (1523mm)
- 3 bar MPR rotor
- Multiple blow bar chemistries available to fit application
- Two (2) fully lined aprons
- Minimum apron settings - upper 2", lower 1"
- Hydraulic adjustment
- RPM maximums vary on application and rotor
- Hydraulically actuated access to rotor

Under Crusher Conveyor

- 60" (1524mm) fixed height with full spill boards
- Impact bed, 440PIW single ply
- Easily removed for maintenance

Chassis

- Sculpted frame design
- 24" (600mm) tracks with hydrostatic drive
- Track length 16' 6" (5.0m)
- Balanced for zero cribbing
- Dust suppression with manifold

Power And Controls

- CAT C15 540hp / 403kw Tier 4 Final
- 224gal (848L) fuel tank
- 200gal (757L) oil reservoir
- One 12GPM and one 20GPM hydraulic circuits for magnet, side delivery, or auxiliary
- Radio remote / tether control system
- OPS 7 with push button or touchscreen
- Crusher CSS adjusted safely at control panel
- Real time system monitoring display

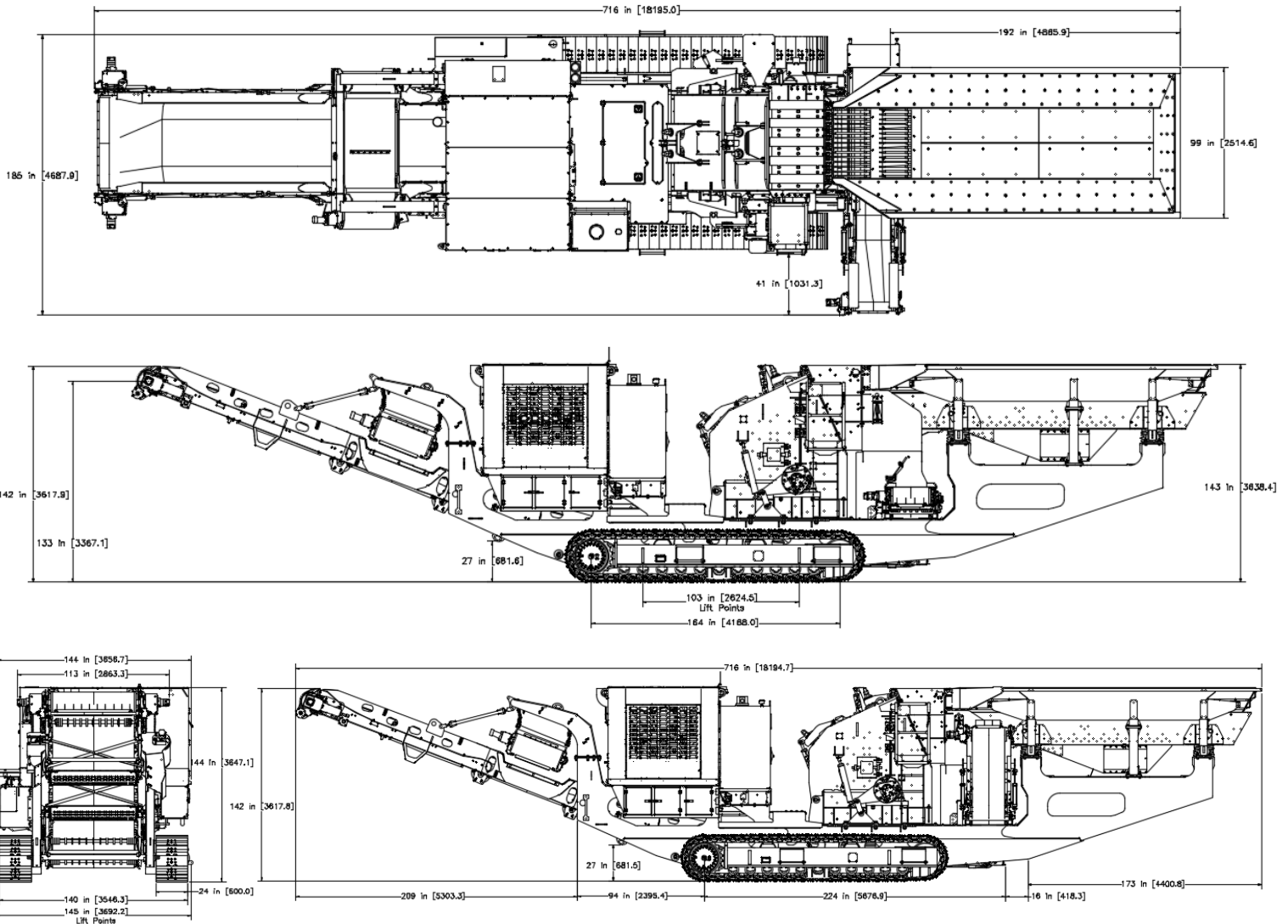
Options

- Vulcanization of 440 PIW single ply
- 24" side delivery conveyor with hydraulic fold
- Permanent cross belt magnet, optional steel cladding
- CAT C15 Tier 3 vs. Tier 4 (International only)
- 4 bar rotor (with 2 up, 2 down) vs. std.
- Belt scale for under crusher conveyor
- Return chute only for recirculation from off plant, optional flop gate and extension
- 24" return conveyor for recirculation from of plant, hydraulically lowers for transport
- CAT C15 540HP Tier III vs. Tier IV (international)
- Lighting package mounted on engine housing
- Engine enclosure filter kit

Physical/Operating Characteristics

Dimension	Standard	Metric
Operating Length	59' 8"	18.2 m
Operating Width	12' 0"	3.7 m
Travel Length	59' 8"	18.2 m
Operating Width w/ Discharge	15' 5"	4.7 m
Operating Height	14' 2"	4.3 m
Travel Width (less return)	11' 11"	3.6 m
Travel Height	11' 11"	3.6 m
Feed Height	11' 11"	3.6 m
Ground Clearance	10"	0.3 m

Dimension	Standard	Metric
Discharge Height	11' 1"	3.4 m
Highest Estimated Decibel Level (Operating with No Material)	100dB @ 3' 70dB @ 200'	0.9 m 61 m
Side Discharge (optional)	4' 9"	1.4 m
Total Weight	128,000 lbs	58,060 kg
Under Crusher Conveyor	8,880 lbs	4,028 kg
Optional Magnet	6,130 lbs	2,780 kg
Feeder & Hopper	17,000 lbs	7,711 kg
Optional Side Delivery	1,725 lbs	782 kg



Kolberg-Pioneer, Inc.
700 West 21st Street,
Yankton, SD 57078
1 (800) 542-9311
mail@kpijci.com
www.kpijci.com

NOTE: CONSULT FACTORY FOR EXACT DIMENSIONS, specifications are subject to change without notice.

Because Kolberg-Pioneer, Inc., Johnson Crushers International, Inc. and Astec Mobile Screens, Inc. may use in their catalog and literature, field photographs of their products which may have been modified by the owners, products furnished by Kolberg-Pioneer, Inc., Johnson Crushers International, Inc. and Astec Mobile Screens, Inc. do not warrant or represent that their products meet any federal, state, or local statutes, codes, ordinances, rules, standards or other regulations, including OSHA and MSHA, covering safety, pollution, electrical wiring, etc. Compliance with these statutes and regulations is the responsibility of the user and will be dependent upon the area and the use to which the product is put by the user. In some photographs, guards may have been removed for illustrative purposes only. This equipment should not be operated without all guards attached in their normal position. Placement of guards and other safety equipment is often dependent upon the area and how the product is used. A safety study should be made by the user of the application, and, if required additional guards, warning signs and other safety devices should be installed by the user, wherever appropriate before operating the products.

Rev. 4/19