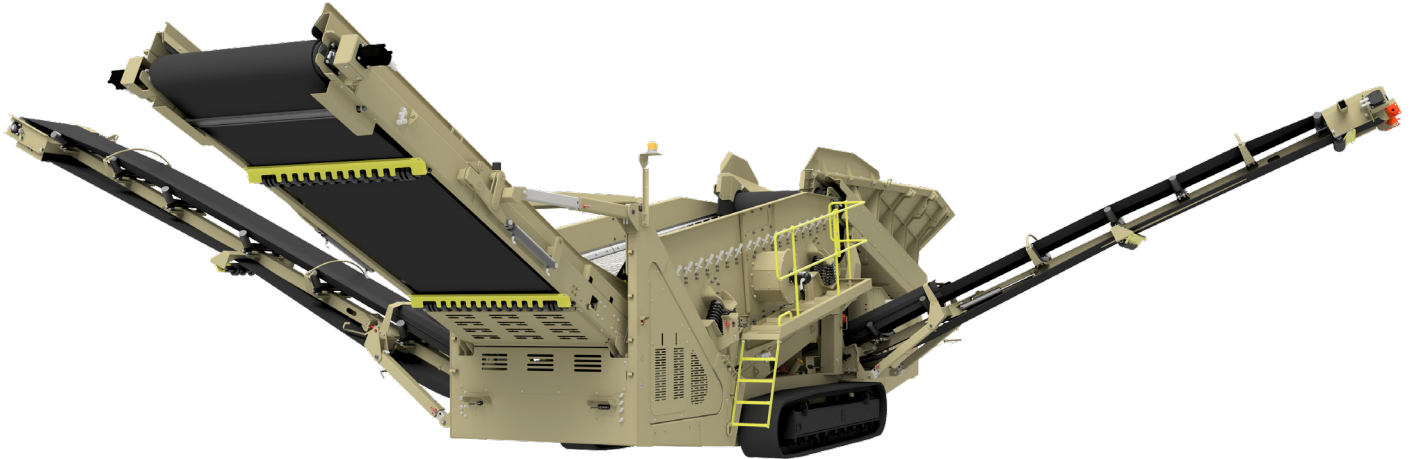


GT206

Track-Mounted Screening Plant



Vibrating Screen

- 6'x20' two deck
- 850 RPM adjustable amplitude
- Access ladder with walk way
- Modular top deck design
- Discharge end of screen raises for cloth changes

Chassis

- 15" channel frame
- Track mount design
- Pendant remote control

Hopper

- 11.5 cubic yard heaped capacity
- Hydraulic fold for transport

Belt Feeder

- 17' x 60" (1500 mm) belt feeder
- Hydraulic variable speed dual motor drive
- HD vulcanized belt
- Impact Bed

Overs Conveyor

- 20' x 64" (1600mm) conveyor
- Hydraulic variable speed drive
- Full Length Impact Bed
- Hydraulic discharge height adjustment- 24 degree max
- Folds for transport
- Chevron Belt

Under-Screen Conveyor

- 18' x 56" (1400mm) fixed conveyor
- Hydraulic variable speed
- Adjustable back board
- Primary belt cleaner

Bottom Deck Overs Side Conveyor

- 33' x 36" (900mm) fold out design
- Hydraulic variable speed
- Hydraulic discharge height adjustment
- Chevron Belt

Fines Side Conveyor

- 32' x 42" (1050mm) fold out design
- Hydraulic variable speed
- Hydraulic discharge height adjustment
- Plain Belt, Primary belt cleaner

Power System

- 173HP CAT Tier IV Final diesel engine
- Oil Cooler
- Engine mounted hydraulic pumps to operate all plant functions
- NEMA-4 rated instrument panel
- Emergency stops

Service Capacity

- 145 gallon fuel tank
- 210 gallon hydraulic reservoir

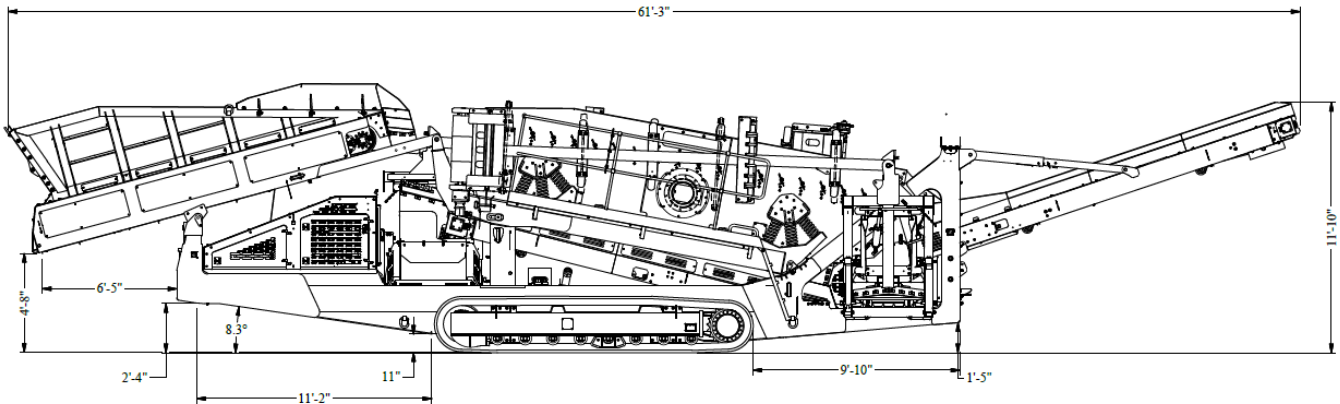
Options

- Punch Plate Top Deck (Flat or Crowned)
- Grizzly Bars Top Deck
- Finger Bars Top Deck
- Wireless Track Remote
- Ball Tray for Bottom Deck Module
- Rear Loader Feed Wings (Increases heaped capacity to 13 cubic yards)
- Hydraulic Grizzly and Bulkhead for Hopper
- Apron Feeder

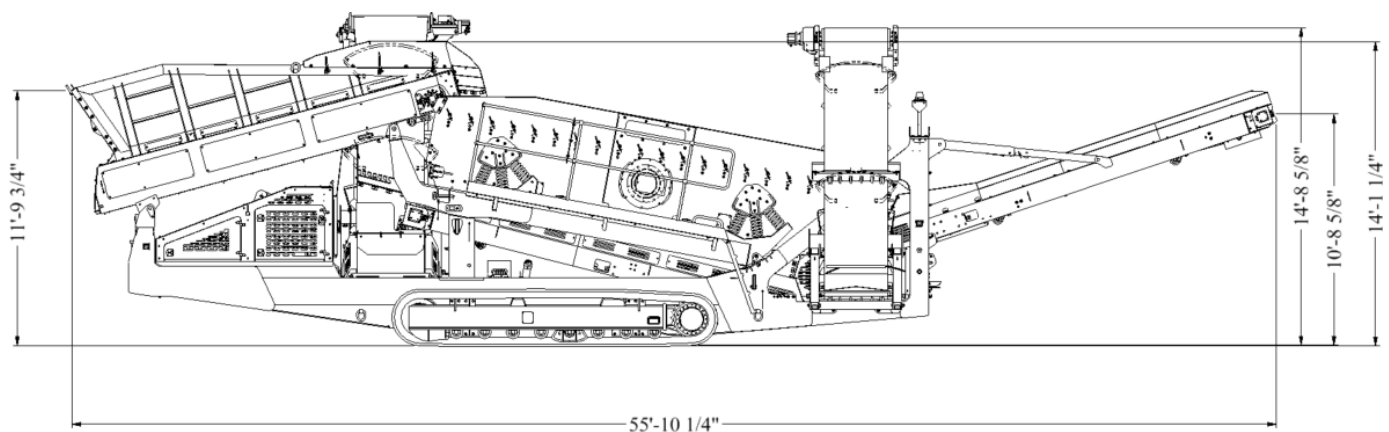
Physical/Operating Characteristics

Dimension	Standard	Metric
Operating Length	55'-10"	16.85 m
Travel Length	61'-3"	18.72 m
Operating Height	16'-3"	4.79 m
Travel Height	11'-10"	4.97 m
Operating Width	56'-9"	17.31 m
Travel Width	11'	3.35 m
Unit Weight (Belt Feeder)	96,000 lbs	43,544 kg
Feed Height (Front Feed)	11'-10"	3.65 m
Feed Height (Side Feed)	13'	3.96 m
Maximum Feed	24"	610mm
Maximum Total Products	(2) Sized	1 oversize
Side to Side Operating Slope	1% Grade	
Front to Back Operating Slope	3% Grade	

Travel Mode



Operation Mode



Astec Mobile Screens, Inc.
 2704 West LeFevre Road
 Sterling, IL 61081
 1 (800) 545-2125
 mail@kpijci.com
 www.kpijci.com

NOTE: CONSULT FACTORY FOR EXACT DIMENSIONS, specifications are subject to change without notice.

Because Kolberg-Pioneer, Inc., Johnson Crushers International, Inc. and Astec Mobile Screens, Inc. may use in their catalog and literature, field photographs of their products which may have been modified by the owners, products furnished by Kolberg-Pioneer, Inc., Johnson Crushers International, Inc. and Astec Mobile Screens, Inc. do not warrant or represent that their products meet any federal, state, or local statutes, codes, ordinances, rules, standards or other regulations, including OSHA and MSHA, covering safety, pollution, electrical wiring, etc. Compliance with these statutes and regulations is the responsibility of the user and will be dependent upon the area and the use to which the product is put by the user. In some photographs, guards may have been removed for illustrative purposes only. This equipment should not be operated without all guards attached in their normal position. Placement of guards and other safety equipment is often dependent upon the area and how the product is used. A safety study should be made by the user of the application, and, if required additional guards, warning signs and other safety devices should be installed by the user, wherever appropriate before operating the products.