

# GT104

Track-Mounted Screen



## Vibrating Screen

- 4' (1.22m) x 9' (2.74m) top and bottom deck
- 850 RPM adjustable amplitude
- Fixed 15 degree angle
- Top deck has side tensioned screen cloth, bottom deck has end tensioned screen cloth
- Modular top deck design

## Hopper/Belt Feeder

- 5.25 cubic yard heaped capacity
- Impact bed
- 13' (3.96m) x 42" (1050mm) belt feeder
- Hydraulic variable speed single motor drive
- Toughflex grade X cover, vulcanized

## Overs Conveyor

- Hydraulic variable speed drive
- Staggered impact bed
- Chevron belt, vulcanized
- 8'10" (2.69m) fixed discharge height

## Underscreen Conveyor

- One (1) 9' (2.74m) x 42" (1050mm) fixed conveyor
- Hydraulic variable speed, adjustable backboard
- Vulcanized

## Bottom Deck Overs Conveyor

- One (1) 25' (7.62m) x 26" (650mm) fold out design
- Hydraulic variable speed
- 10'5" (3.18m) fixed discharge height; 25 degree angle
- Chevron belt, vulcanized

## Fines Conveyor

- One (1) 24' (7.32m) x 26" (650mm) fold out design
- Hydraulic variable speed
- 11' (3.35m) fixed discharge height
- Smooth belt, vulcanized, primary belt cleaner

## Chassis

- Fabricated I-Beam frame
- Track mount design
- Pendant remote control

## Power Unit

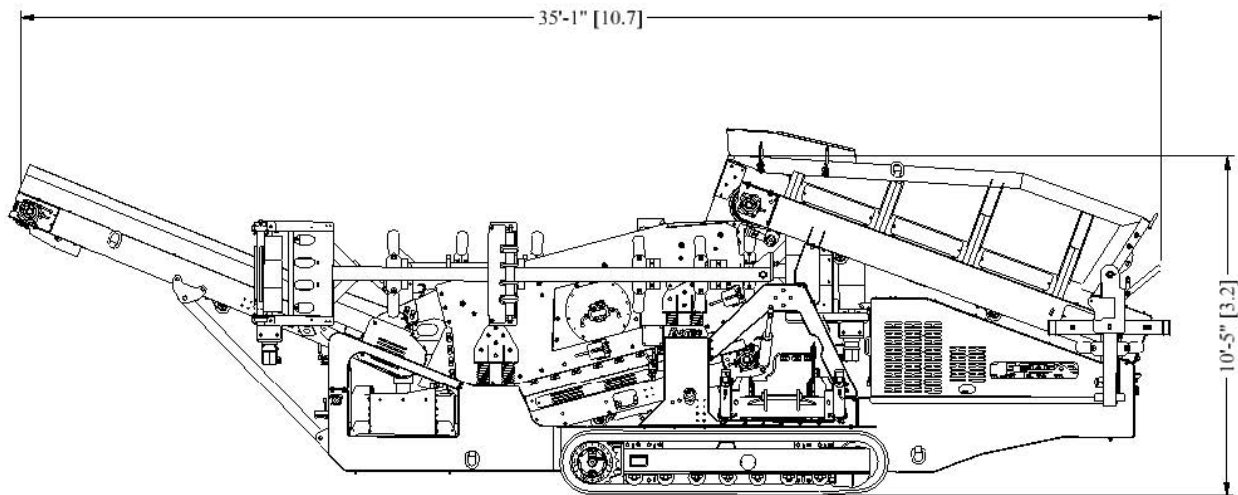
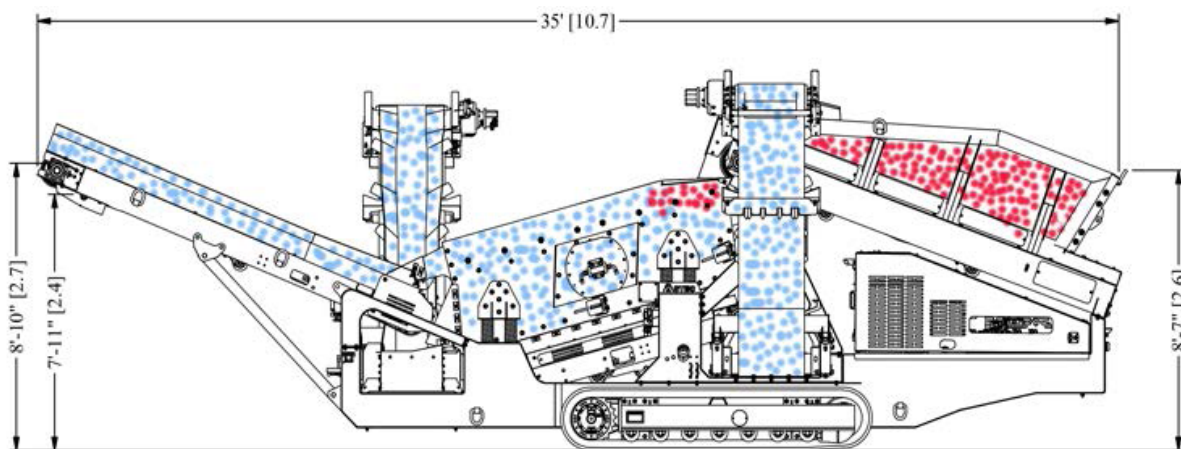
- Cummins 74HP Tier IV water cooled diesel engine
- 55gal / 208L fuel tank
- Oil cooler
- 85gal / 322L hydraulic oil reservoir
- Engine mounted hydraulic pumps to operate all plant functions
- NEMA-4 rated instrument panel
- Emergency stop

## Options

- Punch plate top deck (flat or crowned)
- Grizzly bars top deck
- Tine deck top deck
- Wireless track remote
- Ball tray for bottom deck module
- Rear loader feed wings
- HD hydraulic grizzly for hopper
- Standard steel screen cloth both decks

## Physical/Operating Characteristics

Dimension	Standard	Metric
Overall Length	35' 1"	10.7 m
Operating Width	41'	12.5 m
Travel Length	35' 1"	10.7 m
Travel Width	8'	2.4 m
Operating Height	11' 8"	3.6 m
Feed Height (Front Feed)	8' 7"	2.6 m
Travel Height	10' 5"	3.2 m
Feed Height (Side Feed)	10' 2"	3.1 m
Maximum Feed	12"	305 mm
Unit Weight	36,000 lbs	16,329 kg



Johnson Crushers International, Inc.  
 86470 Franklin Blvd.,  
 Eugene, OR 97405  
 1 (800) 314-4645  
 mail@jcieg.com  
 www.kpijci.com

**NOTE: CONSULT FACTORY FOR EXACT DIMENSIONS, specifications are subject to change without notice.**

Because Kolberg-Pioneer, Inc., Johnson Crushers International, Inc. and Astec Mobile Screens, Inc. may use in their catalog and literature, field photographs of their products which may have been modified by the owners, products furnished by Kolberg-Pioneer, Inc., Johnson Crushers International, Inc. and Astec Mobile Screens, Inc. do not warrant or represent that their products meet any federal, state, or local statutes, codes, ordinances, rules, standards or other regulations, including OSHA and MSHA, covering safety, pollution, electrical wiring, etc. Compliance with these statutes and regulations is the responsibility of the user and will be dependent upon the area and the use to which the product is put by the user. In some photographs, guards may have been removed for illustrative purposes only. This equipment should not be operated without all guards attached in their normal position. Placement of guards and other safety equipment is often dependent upon the area and how the product is used. A safety study should be made by the user of the application, and, if required additional guards, warning signs and other safety devices should be installed by the user, wherever appropriate before operating the products.

Rev. 8/20