

FT62030C

Track-Mounted Screening Plant



6203-32LPT Screen

- 6'x20' triple deck
- Aggressive stroke triple shaft horizontal
- Fully adjustable timing angle, stroke length, and stroke speed to fit most applications
- Bolt on feedbox with ¼" AR liners
- Fully contained oil lubrication assembly
- Multiple deck configurations

Chassis

- I-beam/box frame design balanced for zero cribbing
- Components fold for transport
- Grease lines for easy maintenance

Heavy Duty Belt Feeder

- 48" feed conveyor
- Full length impact bed
- Grade 1 belting

Under Screen Conveyor

- 72" under screen conveyor
- Grade II, 330 3 ply belting

Blending Chutes

- Middle deck blending capability
- Flop gates blend in 25% increments

Side Discharge Conveyors

- 36" fines side discharge
- 30" middle deck discharge
- 30" bottom deck discharge
- Grade II, 330 3ply belting

Overs Conveyor

- 42" top deck conveyor
- Grade II, 330 3 ply belting

Power Unit

- Cummins QSB6.7 Tier 4 Final rated @ 190hp/142kW
- 187gal/568L fuel tank
- Two 20gpm auxiliary hydraulic circuits

Controls

- Adjustable screen speed control w/screen under/over speed protection
- Diagnostics with historical storage
- 24V controls

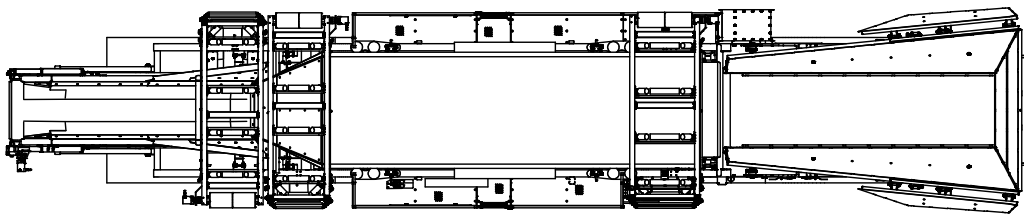
Options

- CAT C6.6 Tier 3 rated @ 225hp/168kW
- Transport dolly
- Screen media (optional)
- Cold weather kit (optional)

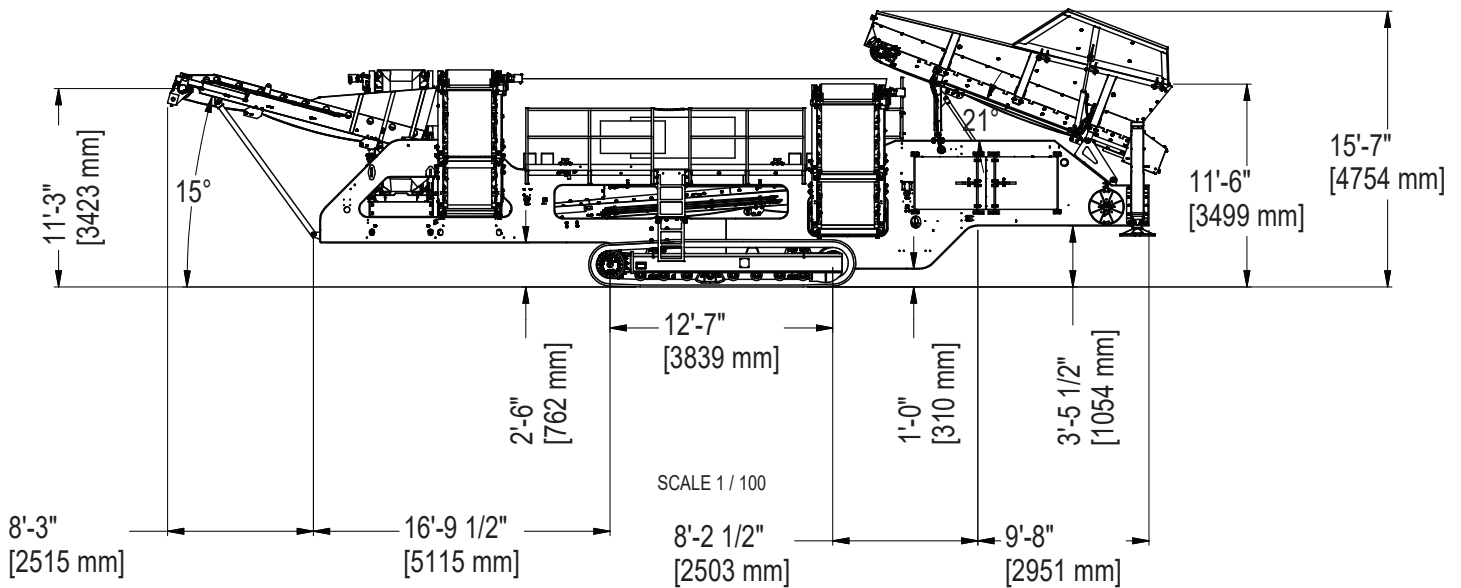
Physical/Operating Characteristics

Dimension	Standard	Metric
Operating Length	56'-10"	17.3 m
Operating Height	15'-7"	4.8 m
Travel Height	12'-11 1/2"	4 m
Travel Width	11'-11 1/2"	3.7 m
Feed Height	11'-6"	3.5 m
Max Feed Size Up To	10"	254 mm
Max Top Deck Opening	4"	102 mm
Unit Weight (standard)*	84,000 LBS	38,100 kg

Travel Mode



Operation Mode



Johnson Crushers International, Inc.
 86470 Franklin Blvd.,
 Eugene, OR 97405
 1 (800) 314-4645
 mail@jcieug.com
 www.kpijci.com

NOTE: CONSULT FACTORY FOR EXACT DIMENSIONS, specifications are subject to change without notice.

Because Kolberg-Pioneer, Inc., Johnson Crushers International, Inc. and Astec Mobile Screens, Inc. may use in their catalog and literature, field photographs of their products which may have been modified by the owners, products furnished by Kolberg-Pioneer, Inc., Johnson Crushers International, Inc. and Astec Mobile Screens, Inc. do not warrant or represent that their products meet any federal, state, or local statutes, codes, ordinances, rules, standards or other regulations, including OSHA and MSHA, covering safety, pollution, electrical wiring, etc. Compliance with these statutes and regulations is the responsibility of the user and will be dependent upon the area and the use to which the product is put by the user. In some photographs, guards may have been removed for illustrative purposes only. This equipment should not be operated without all guards attached in their normal position. Placement of guards and other safety equipment is often dependent upon the area and how the product is used. A safety study should be made by the user of the application, and, if required additional guards, warning signs and other safety devices should be installed by the user, wherever appropriate before operating the products.