

FT2618VM

Track-Mounted Screening Plant



Vibrating Screen

- One (1) 2618VM double deck PEP Vari-Vibe® high frequency screen
- 6' (1.83m) x 18' (5.49m) high-frequency top deck and 6' (1.83m) x 12' (3.66m) high-frequency bottom deck
- Top and bottom deck driven by fourteen (14) hydraulic variable speed vibrators (0-4200 RPM) mounted below screens for directly induced vibrating action
- All vibrators operate with 5 force amplitude settings
- Hydraulic controls for variable angle operation
- Top and bottom discharge chutes
- Aggregate spreader, step type walkway with ladder

Delivery Conveyor

- One (1) 43' (13.11m) x 42" (1067mm) conveyor with hydraulic drive (350 FPM)
- Full length skirt boards; CEMA-B idlers
- Primary belt cleaner
- Folds for transport; vulcanized belt

Side Product Conveyors

- Two (2) 33' (10.06m) x 24" (610mm) conveyors with hydraulic drive, fold out design
- Hydraulic variable speed (0-350 FPM)
- Fixed discharge height
- CEMA-B idlers
- Primary belt cleaner; vulcanized belt

Frame

- Plate type frame
- Tracks with pendent remote control

Fines Conveyor

- One (1) 20' (6.10m) 42" (1067mm) conveyor with hydraulic drive (350 FPM)
- 9' (2.74m) discharge height
- Folds for transport
- Vulcanized belt
- CEMA-B idlers

Power and Hydraulics

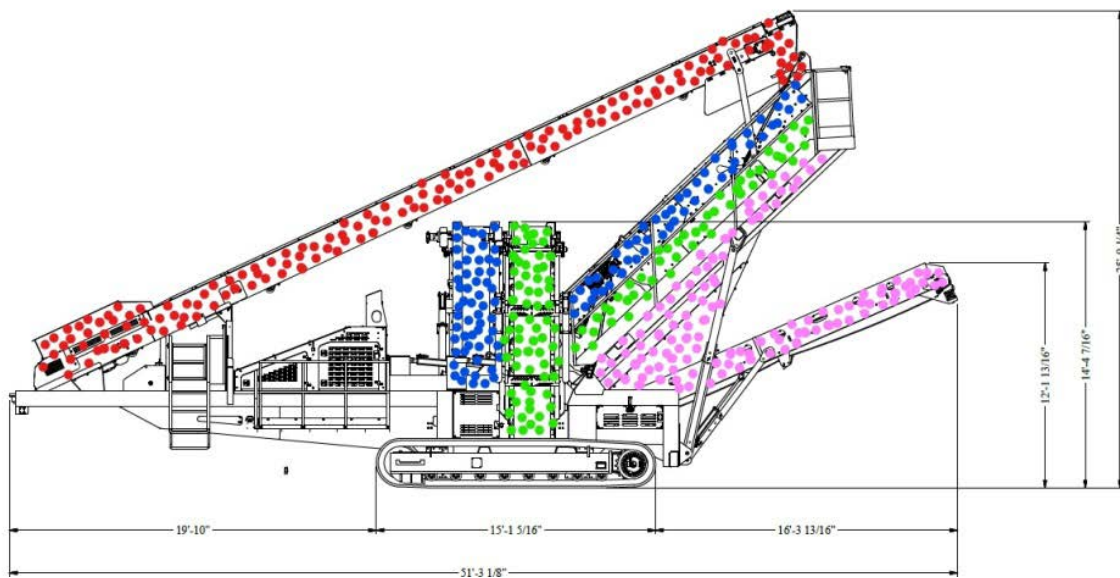
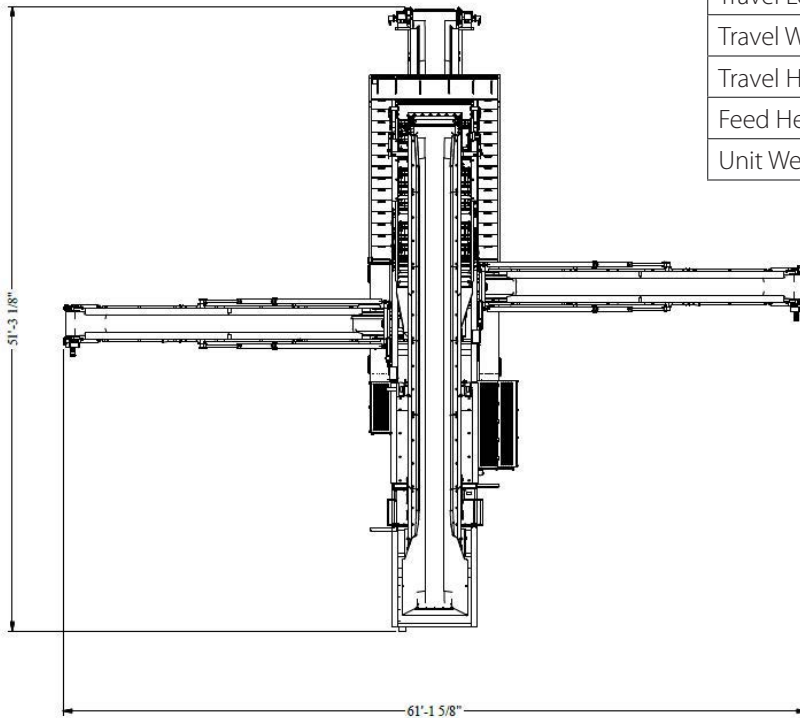
- 127 HP Cat Tier IV water cooled diesel engine
- 140 gal fuel tank
- 150 gal hydraulic reservoir with return filters
- Engine mounted hydraulic pumps to operate all plant functions; Oil cooler
- NEMA-4 rated control panel
- Tachometer, hour meter, voltmeter, oil pressure / temp gauge, E-Stops

Options

- Stainless steel screen cloth
- Vinyl Dust Cover
- Hydraulic driven suspended belt magnet 30" wide
- Wireless track remote

Physical/Operating Characteristics

Dimension	Standard	Metric
Operating Length	51'3"	15.64m
Operating Width	61'1"	18.62m
Operating Height	25'9"	7.89m
Travel Length	53'2"	16.22m
Travel Width	13'0"	3.96m
Travel Height	14'5"	4.42m
Feed Height	7'11"	2.44m
Unit Weight	60,000 lbs	27,216 kg



Astec Mobile Screens, Inc.
 2704 West LeFevre Road
 Sterling, IL 61081
 1 (800) 545-2125
 mail@kpijci.com
 www.kpijci.com

NOTE: CONSULT FACTORY FOR EXACT DIMENSIONS, specifications are subject to change without notice.

Because Kolberg-Pioneer, Inc., Johnson Crushers International, Inc. and Astec Mobile Screens, Inc. may use in their catalog and literature, field photographs of their products which may have been modified by the owners, products furnished by Kolberg-Pioneer, Inc., Johnson Crushers International, Inc. and Astec Mobile Screens, Inc. do not warrant or represent that their products meet any federal, state, or local statutes, codes, ordinances, rules, standards or other regulations, including OSHA and MSHA, covering safety, pollution, electrical wiring, etc. Compliance with these statutes and regulations is the responsibility of the user and will be dependent upon the area and the use to which the product is put by the user. In some photographs, guards may have been removed for illustrative purposes only. This equipment should not be operated without all guards attached in their normal position. Placement of guards and other safety equipment is often dependent upon the area and how the product is used. A safety study should be made by the user of the application, and, if required additional guards, warning signs and other safety devices should be installed by the user, wherever appropriate before operating the products.

Rev. 4/19