

MODEL			
Operating Weight	SW652-1	lbs	16,445
		kg	7,460
	SW652ND-1	lbs	17,110
		kg	7,760
On Front Drum	SW652-1	lbs	7,725
		kg	3,505
	SW652ND-1	lbs	8,060
		kg	3,655
On Rear Drum	SW652-1	lbs	8,720
		kg	3,955
	SW652ND-1	lbs	9,050
		kg	4,105
Minimum Vibration Frequency	SW652-1	VPM	3,000
		Hz	50
	SW652ND-1	VPM	2,940
		Hz	49
Maximum Vibration Frequency	SW652-1	VPM	4,000
		Hz	67
	SW652ND-1	VPM	2,940
		Hz	49
Oscillation Frequency	SW652-1	RPM	N/A
		Hz	N/A
	SW652ND-1	RPM	2,940
		Hz	49
Centrifugal Force-vib	SW652-1	lbs	13940-15510
		kN	62-69
	SW652ND-1	lbs	15,285
		kN	68
Centrifugal Force-osc	SW652-1	lbs	N/A
		kN	N/A
	SW652ND-1	lbs	27,875
		kN	124
Nominal Amplitude	SW652-1	inches	.012 - .024
		mm	.3 - .6
	SW652ND-1	inches	0.021
		mm	0.52
Engine Make & Model	Kubota V3307-DI-T-KDN		
Horsepower	hp / kW	74 / 55.4	
Maximum Speed	mph / kmh	8.1 / 13	
Gradability	SW652-1	percent	34
	SW652ND-1	percent	32
Fuel Tank Capacity	gallons / liters	32 / 120	
Spray System Capacity	gallons / liters	158 / 600	
Brake Types	Hydrostatic, wet disc, SAHR, footbrake		
Steering Types	Articulated with heavy-duty hitch center point		
Articulation Angle	degrees	39	
Outside Turning Radius	inches / mm	201 / 5.1	
Inside Turning Radius	inches / mm	143 / 3,632	
Oscillation Angle	degrees	9	
DIMENSIONAL DATA			
Drum Diameter A	inches / mm	42 / 1070	
Drum Width B	inches / mm	58 / 1,480	
Overall Length C	inches / mm	169 / 4,300	
Overall Width D	inches / mm	64 / 1,615	
Overall Height E	inches / mm	112 / 2,840	
Wheelbase F	inches / mm	122 / 3,100	
Curb Clearance G	inches / mm	27.8 / 705	
Side Overhang H	inches / mm	2.7 / 67.5	

### The Sakai SW652-1 Series

The Sakai SW652-1 Series reduce owner-operator costs while satisfying a wide range of medium tonnage applications. The SW652-1 features 58" wide drums and 4,000 vpm high frequency for a variety of compaction projects. The SW652ND-1 features an oscillating/horizontal motion for high compaction on sensitive applications.

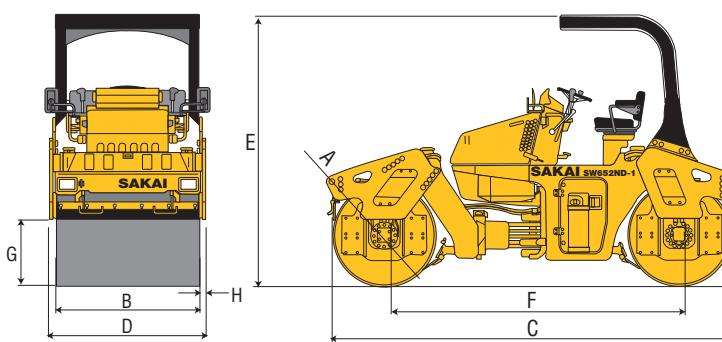
The SW652-1 Series offer high amplitudes and a range of frequencies – all easily switched at the operator's station. Plus, smooth machined drums, excellent drum edge visibility, and high curb clearances all ensure superior finishes regardless of the mix or application.

The SW652ND-1 allows both drums to oscillate or vibrate. The oscillating motion will neither over-compact the mat nor fracture the aggregate regardless of the temperature or lift thickness. The oscillating feature performs well on bridge decks, thin lift overlays and at joints, gaining density during finish passes. Switching from oscillation to vibration modes can be achieved while on the run from the operator station and each drum is independently controlled for optimum flexibility. Great for breakdown or finish rolling.

Other features of the SW652-1 Series include a dual drum drive that is independent from the vibration system and ensures excellent traction and eliminates bow wave build-up, fuel efficient, Kubota, turbo charged, water-cooled, diesel engines that fully comply with current EPA/CARB emission standards, a three-way braking system, Sakai's patented shock isolation system that is completely independent of the drum drive system and reduces the transmission of vibration back to critical machine components and to the operator and Sakai's unsurpassed spray system consisting of rustproof tanks, stainless pipes, and brass nozzles that can simply be cleaned or replaced. ROPS and seat belts are also standard equipment on every Sakai roller sold in North America.

### Superior Serviceability-Fast Support

Sakai has been building high quality construction equipment since 1918. We manufacture more vibratory compactors annually than anyone else in the world. Sakai stocks component parts for all its products and if necessary, these are available via over-night dispatch from their North American headquarters in Georgia. Call your authorized Sakai dealer or Sakai directly at (800) 323-0535.



Your authorized Sakai dealer:



**SW652-1 & SW652ND-1**  
Vibratory and Vibratory/Oscillating Rollers

# SAKAI



**Road Widening, Shoulders,  
Municipal Roads**

**Parking Lots, Driveways,  
Urban Applications**

**Most Advanced Shock Isolation System**

**Dual Drum Hydrostatic Drive**

**Economical to Own and Operate**

**SW652-1 Vibrates on Both Drums**

**SW652ND-1 Vibrates or Oscillates  
on Both Drums**