



# FIXED GOOSENECK SERIES

since 1905

# 35 TON MACHINERY HAULER



SOME OPTIONAL EQUIPMENT MAY BE SHOWN.

The ROGERS® Fixed Gooseneck Series MH35 defines streamline dependability in a 35-ton capacity trailer. A “carry all” trailer that has the combined conveniences of a rear loading style, a spacious level deck and sloped access to the gooseneck for additional loading surface. It’s full-width gooseneck accomodates equipment or cargo. Fabricated with high strength steel and equipped with a heavy-duty spring suspension, this trailer will provide years of dependable service.

## STANDARD FEATURES

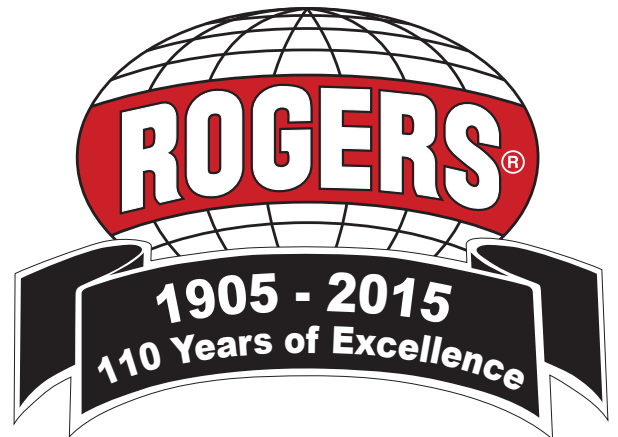


■ **Long, flat gooseneck and pin type landing legs:** The full-width gooseneck easily accomodates a variety of equipment. The beams are constructed of 100,000 psi minimum yield steel to maximize strength and minimize weight. The durable pin type landing legs have 40,000 lb. static capacity. Full 2-inch thick air-dried oak deck is fastened to the trailer frame with carriage bolts and cupped washers. A convenient oak-covered toolbox is located above the kingpin.

■ **Unitized frame construction:** Main beams are fabricated of 100,000 psi minimum yield steel. Ten-inch deep cross members are pierced through the main beams for a lower deck height and a stronger more durable frame. Extra wide trunnions between the tires helps make loading and positioning equipment on the trailer safe and easy. The heavy-duty multi-leaf four spring suspension provides a stable ride. Both axles are equipped with spring parking brakes and a premium 4S/2M anti-lock braking system.



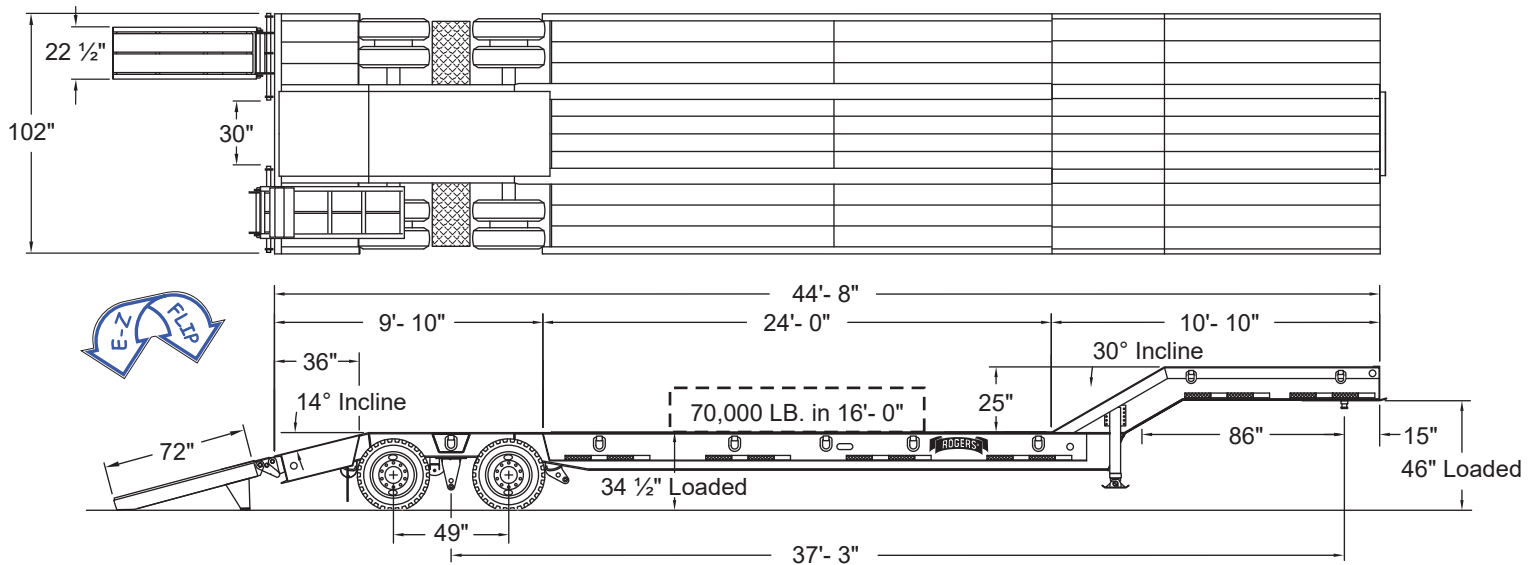
■ **“E-Z Flip” extra-long loading ramps with 36” beavertail at 14° slope:** These ramps are constructed from 50,000 psi minimum yield high strength steel, yet are light enough for easy operation. Dual springs assist lifting the ramps off the ground as well as off the deck, and they can be adjusted laterally to accomodate machines of various widths. Available in standard oak-covered or optional ladder style.



**THE ULTIMATE IN TRAILERS®**  
**ROGERS BROTHERS CORPORATION**  
[www.rogerstrailers.com](http://www.rogerstrailers.com)

*The name you know, experience you can trust and the performance to back it up.*

# 35 TON FIXED GOOSENECK • MH35



SPECIFICATIONS	MAXIMUM STRUCTURAL CAPACITY	SUSPENSION	AXLES	TIRES	WHEELS & HUBS/DRUMS	AIR BRAKES	LANDING GEAR	EMPTY WEIGHT	GROSS VEHICLE WEIGHT RATING (GVWR)	GROSS AXLE WEIGHT RATING (GAWR)
	35 TONS IN 16'-0" OF THE DECK	MULTI-LEAF SPRING CAPACITY: 50,000 LB	5" ROUND CAPACITY: 22,500 LB @ 60 MPH	255/70R22.5(H) LOW PROFILE TUBELESS RADIAL CAPACITY: 20,280 LB/AXLE	22.5" x 8.25" HUB-PILOTED 10-HOLE STEEL DISC WHEELS ON 16 1/2" x 7" DRUM	22.5" x 8.25" HUB-PILOTED 10-HOLE STEEL DISC WHEELS ON 16 1/2" x 7" DRUM	4S/2M ABS W/SPRING PARKING BRAKES	PIN TYPE STATIC LOAD: 40,000 LB	BASE MODEL: 12,980 LB +/- 3%	BASE MODEL: 82,980 LB +/- 3%

## STANDARD FEATURES

- Gooseneck swing radius 86"; 5th wheel 46" loaded.
- 30° slope from deck to gooseneck, oak covered.
- Loaded deck height - 35".
- Pin type landing legs - 40,000 lb static capacity.
- Storage area in gooseneck over king pin.
- Sixteen (10) bent lashing D's - eight (5) per side.
- Full 2" oak decking.
- Oak-covered 36" beavertail with 14° slope.
- Oak-covered "E-Z Flip" rear loading ramps, 72" x 22 1/2" laterally adjustable, 50,000 lb. minimum yield steel.
- LED Lights: US DOT 12-volt rubber grommet mounted.
- Sealed wiring system with 7-wire socket.
- Epoxy primer; ROGERS Red or Black enamel finish.

## OPTIONAL EQUIPMENT

- Two-speed landing gear package.
- Deck toolbox with oak lid or lockable steel lid.
- Removable swinging side brackets.
- Wheel covers - tread plate or smooth plate.
- Additional lashing D's.
- Steel-covered beavertail with traction bars.
- Ladder-style "E-Z Flip" rear loading ramps, 72" x 22" laterally adjustable, 50,000 lb. minimum yield steel.
- Hydraulic rear ramps.
- Aluminum disc wheels.
- 275/70R22.5 H(16) low profile tires.
- Mechanical backup warning alarm.
- Rubber composite material decking.
- Other ROGERS paint colors available.

**ROGERS BROTHERS CORPORATION**  
 100 Orchard Street  
 Albion, Pennsylvania, 16401  
 (800) 441-9880  
 (814) 756-4121  
 (814) 756-4830 FAX  
 www.rogerstrailers.com

**Highway Equipment Company**  
 22035 Perry Highway  
 Zelienople, PA 16063  
 (800) 222-8798  
 www.highway-equipment.com

In keeping with our policy of constant improvement, all designs, materials, and specifications are subject to change without notice or penalty. Capacity ratings are frame ratings only. Actual load capacities may be restricted by factors such as gross axle weight ratings (GAWR) and/or state and federal regulations.